

Dialight



SafeSite[®] LED Floodlight - UL 844

for Indoor & Outdoor Hazardous Applications





Features & Benefits

- 10 year warranty
- L70 rated for >100,000 hours @ 25°C ambient
- DLC listed
- Instant on/off operation
- Universal input (100-277 VAC, 50/60Hz or 347/480 VAC, 60Hz)
- Superior color rendering index compared to HPS, LPS, MH
- Resistant to shock and vibration
- Isolated wiring compartment
- Integral safety straps
- Temperature compensation technology for longer life

Application

The SafeSite® LED Floodlight represents the future of energy efficient facility illumination for hazardous applications worldwide. The fixture consumes at least 50% less energy than traditional HID light sources, while reducing maintenance and improving light quality. This light incorporates both cutting edge LED technology along with proprietary optics to achieve flood lighting comparable with other traditional light sources.

SafeSite® LED Floodlight - UL 844

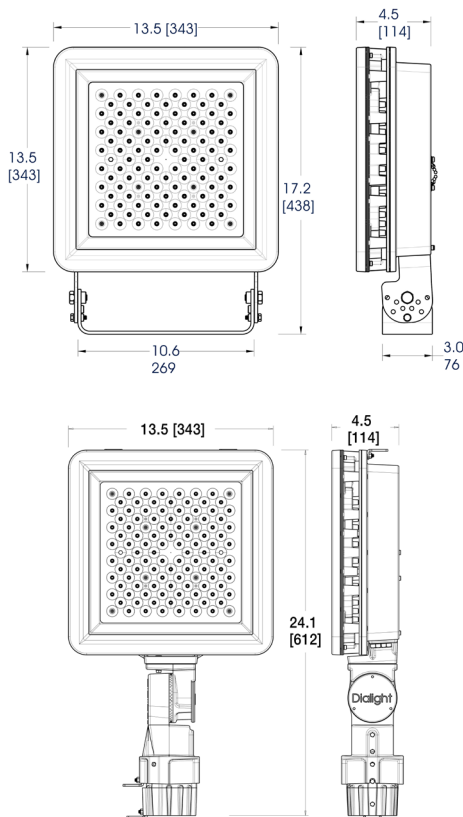
Standard Model & Slipfitter Model



Standard Models



Slipfitter Models



Dimensions in inches [mm]

Temperature Ratings	
Ambient Temperature Range T4A Temperature Code	Ambient Temperature Range T5 Temperature Code
15,000 - 13,500lm models	11,500 - 10,750lm models
-40°F to +149°F (-40°C to +65°C)	-40°F to +149°F (-40°C to +65°C)

Certifications & Ratings

- Class I, Div. 2 Groups A, B, C & D
- Class II, Div. 1 Groups E, F & G
- Class II, Div. 2 Groups F & G
- Class III
- UL 844
- CSA C22.2 No. 137
- NEMA 4X
- IP66/67
- IK07 (Glass) / IK10 (Polycarbonate)
- ABS # 14-HS1209391-PDA (Trunnion mount models only)

Mechanical Information:

- Fixture weight:** 30 lb (13.6 kg)
- Shipping weight:** 35 lb (15.9 kg)
- EPA (Sq.ft):** 1.66
- Mounting:**
 - 304 Stainless Steel trunnion mount bracket (standard)
 - Integral slipfitter (optional for CID2 only)
- Entries:** (2) 3/4" NPT cable entries (Trunnion mount models only)

Electrical Specifications:

- Operating voltage:** 100-277 VAC, 50/60Hz
347/480 VAC, 60Hz
- Power consumption:** See table
- Operating temp:** -40°F to +149°F (-40°C to +65°C)
- Noise requirement /EMC:** EN 55015 - conducted and radiated
FCC Title 47, Subpart B, Section 15, Class A device. RF Immunity; 10V/m, 80MHz-1GHz
- Surge protection:** EN61000-4-5
Verified up to 6kV/2ohms at an independent test laboratory protection devices capable of 20kV
- THD:** < 20%
- Power factor:** > 0.9

Construction:

- Housing:** Copper-free aluminum
- Finish:** Superior dual coat finish
 - sealed polyester topcoat
 - chemical resistant epoxy primer
- Lens:** Tempered glass
Polycarbonate

Photometric Information:

- CRI:** 75
- CCT:** 5000K (cool white)
4000K (neutral white)
- NEMA Patterns:**
 - 7x6 - Asymmetrical (140° x 115°)
 - 6x7 - Asymmetrical (115° x 140°)
 - 6 - Very wide (115°)
 - 5 - Wide (93°)
 - 4 - Medium (52°)
 - 2 - Narrow (23°)

IES files: Available at www.dialight.com

All values typical unless otherwise stated (tolerance +/- 10%)

WARNING - INSTALLATION & SECONDARY RETENTION. Use of any Dialight products without proper installation (including secondary retention / netting) and periodic inspections could cause severe injury or death. Dialight recommends that all installations should use secondary retention / netting (appropriate to the installation environment) where applicable. It is the exclusive responsibility of the contractor, installer and/or end-user to: (a) determine the suitability of the product for its intended application; and, (b) ensure that the product is safely installed (with secondary retention / netting where appropriate) and in compliance with all applicable laws and regulations. To the extent permissible under applicable laws, Dialight disclaims all liability for personal injury and/or other damage resulting from any dislodgment or other dislocation of its products.

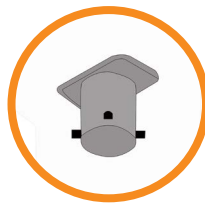
SafeSite® LED Floodlight - UL 844

Mounting Accessories



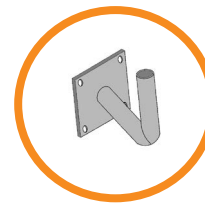
HZXSAFECBLS

- Safety cable kit
- Kit includes: (2) Safety cables



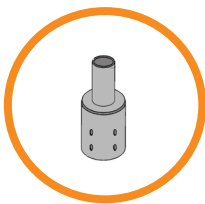
FLX-1TPT-20DB¹

- Tenon pole topper, 2-3/8" mount (Trunnion mount models only)
- Kit includes: Tenon topper, pole set screws, and mounting hardware



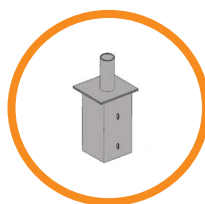
FLX-1RAB-20DB

- Right angle mounting bracket for 2-3/8" light mount
- Kit includes: Right angle bracket



FLX-3RPA-20DB FLX-4RPA-20DB

- Reducer for 3" or 4" OD round pole top to 2-3/8" light mount
- Kit includes: Reducer pole set screws



FLX-4SPA-20DB FLX-5SPA-20DB FLX-6SPA-20DB

- Internal tenon adapter for 4", 5" or 6" square pole top to 2-3/8" light mount
- Kit includes: Adapter



FLX-2LBH-20DB

- Bull horn for 2 lights, 2-3/8" mount, 21" spacing
- Kit includes: Bull horn, pole set screws



FLX-3LBH-20DB

- Bull horn for 3 lights, 2-3/8" mount, 21" spacing
- Kit includes: Bull horn, pole set screws



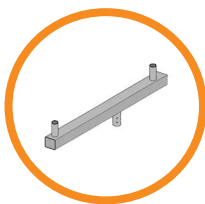
FLX-4LBH-20DB

- Bull horn for 4 lights, 2-3/8" mount, 21" spacing
- Kit includes: Bull horn, pole set screws



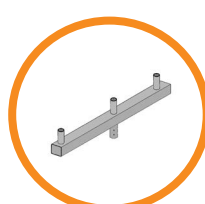
FLX-4RBH-20DB

- Bull horn for 4 lights, 2-3/8" mount, 21" spacing
- Kit includes: Bull horn, pole set screws



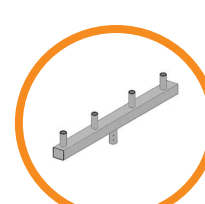
FLX-2RSR-20DB

- Bull horn for 2 lights, 2-3/8" mount, 21" spacing
- Kit includes: Bull horn, pole set screws



FLX-3RSR-20DB

- Bull horn for 3 lights, 2-3/8" mount, 21" spacing
- Kit includes: Bull horn, pole set screws



FLX-4RSR-20DB

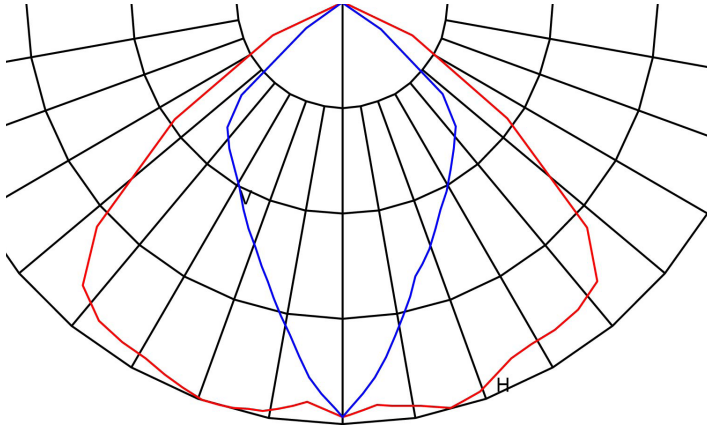
- Bull horn for 4 lights, 2-3/8" mount, 21" spacing
- Kit includes: Bull horn, pole set screws

Brackets and adapters require the integral slipfitter models or tenon pole topper (FLX-1TPT-20DB) to mount floodlight. Tenon pole topper sold separately.

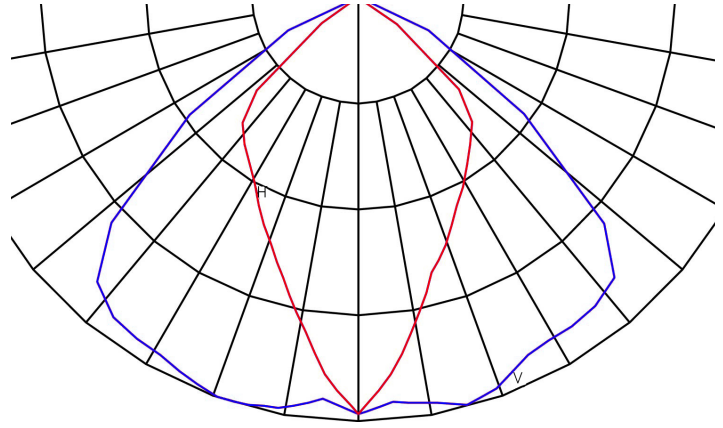
SafeSite® LED Floodlight - UL 844

Beam Distribution Patterns

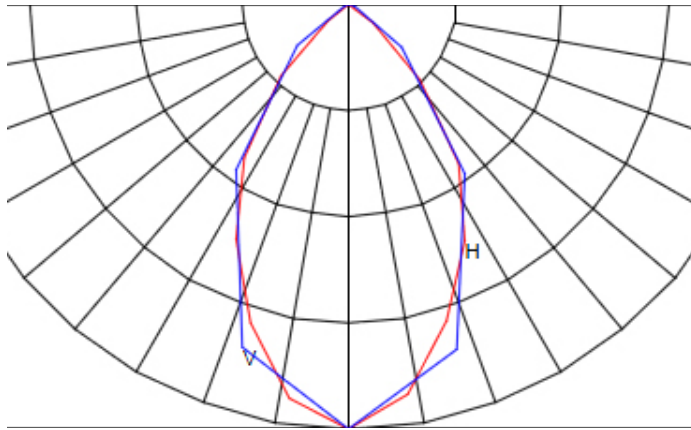
NEMA 7x6 - Field angle = 140° x 115°



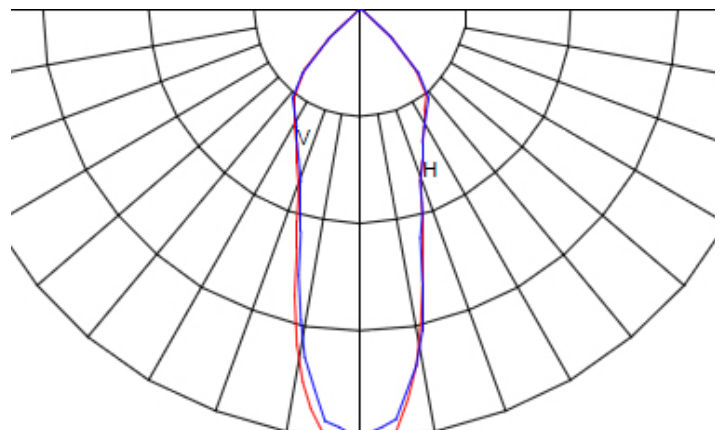
NEMA 6x7 - Field angle = 115° x 140°



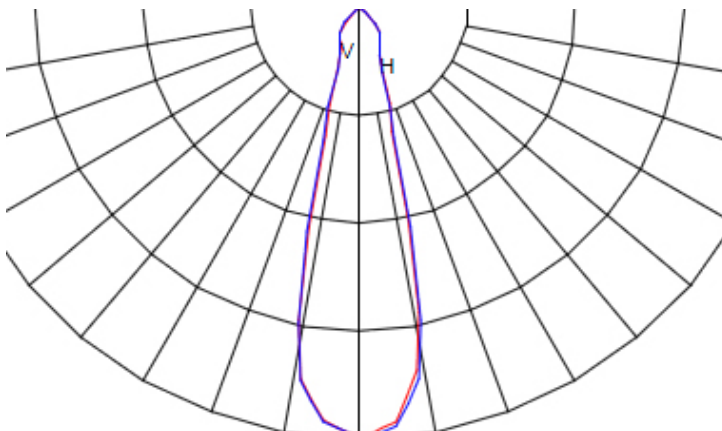
NEMA 6 - Field angle = 115°



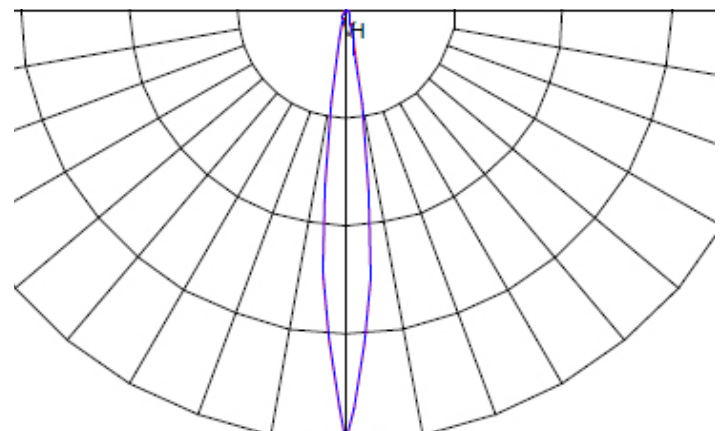
NEMA 5 - Field angle = 93°



NEMA 4 - Field angle = 52°



NEMA 2 - Field angle = 23°



DISCLAIMER. All product information provided is, to the best of Dialight's knowledge, accurate as of the date of publication. When ordering, refer to www.dialight.com for current versions of: (a) relevant product documentation (including the relevant product data sheets); (b) Dialight terms and conditions of sale; and, (c) the relevant product warranty. To the extent that any contract is deemed formed between Dialight and the purchaser of Dialight products and/or an end-user, versions of documents available at www.dialight.com as at the date of sale shall be the versions incorporated therein. In the event of any discrepancy between this document or information provided at www.dialight.com, the latter shall prevail.

SafeSite® LED Floodlight - UL 844

Mounting Options

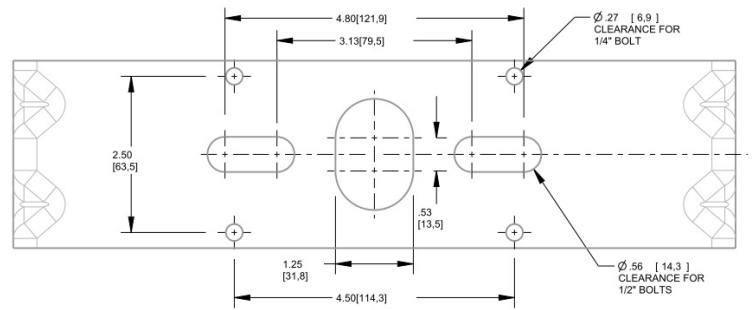


Standard Models



Bracket has locking positions at 0°, (±) 22.5°, (±) 45°, (±) 67.5°, and 90°

Factory Installed Mounting Bracket

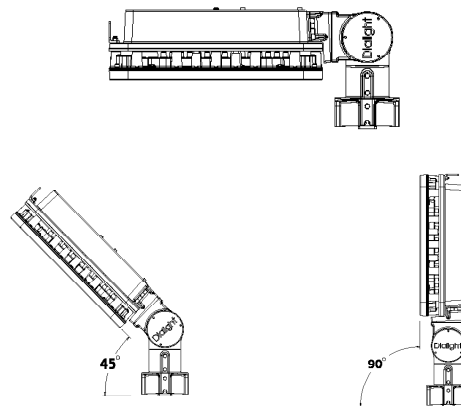


Slipfitter Models



Mount to 2" round poles (2-3/8" OD)
 Integrated Slipfitter has locking positions from 0°-180°, in 7.5° increments
 Gasketed wiring compartment

0°, 45°, 90° Angles

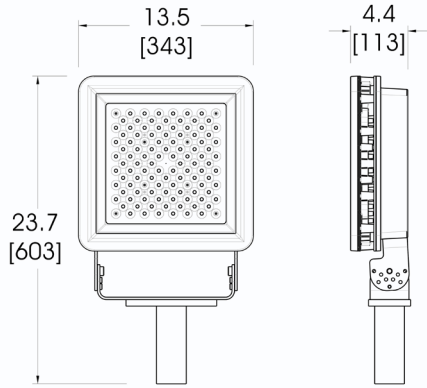


DISCLAIMER. All product information provided is, to the best of Dialight's knowledge, accurate as of the date of publication. When ordering, refer to www.dialight.com for current versions of: (a) relevant product documentation (including the relevant product data sheets); (b) Dialight terms and conditions of sale; and, (c) the relevant product warranty. To the extent that any contract is deemed formed between Dialight and the purchaser of Dialight products and/or an end-user, versions of documents available at www.dialight.com as at the date of sale shall be the versions incorporated therein. In the event of any discrepancy between this document or information provided at www.dialight.com, the latter shall prevail.

SafeSite® LED Floodlight - UL 844

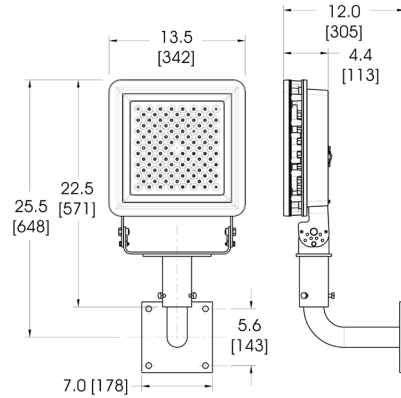
Mounting Options

FLX-1TPT-20DB



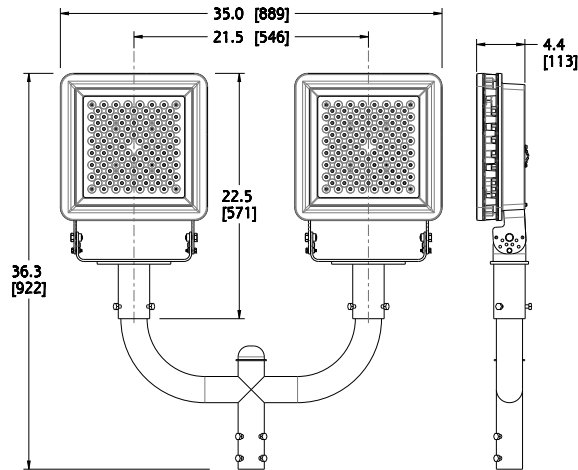
(Fixture and bracket sold separately)

FLX-1RAB-20DB



(Fixture and bracket sold separately)

FLX-2LBH-20DB



(Fixture and bracket sold separately)

DISCLAIMER. All product information provided is, to the best of Dialight's knowledge, accurate as of the date of publication. When ordering, refer to www.dialight.com for current versions of: (a) relevant product documentation (including the relevant product data sheets); (b) Dialight terms and conditions of sale; and, (c) the relevant product warranty. To the extent that any contract is deemed formed between Dialight and the purchaser of Dialight products and/or an end-user, versions of documents available at www.dialight.com as at the date of sale shall be the versions incorporated therein. In the event of any discrepancy between this document or information provided at www.dialight.com, the latter shall prevail.

SafeSite® LED Floodlight - UL 844

Ordering Information - Standard Model

Classifications: CID2 A, B, C, D • CIID1 E, F, G • CIID2 F, G • CIII

Legacy Part Number	New Part Number	CID2	CIID1	CIID2	CIII	Fixture Lumens	Wattage	lm/W	Voltage	Beam Distribution
100-277 VAC Models - Glass Lens, 5000K										
FLD466NC4NGLX	FLD76B2BNTNNGNLX	•	•	•	•	15,000	135	111	100-277 VAC	NEMA 6 (115°)
FLD476NC4NGLX	FLD77B2BNTNNGNLX	•	•	•	•	14,750	135	109	100-277 VAC	NEMA 7x6 (140° x 115°)
FLD467NC4NGLX	FLD78B2BNTNNGNLX	•	•	•	•	14,750	135	109	100-277 VAC	NEMA 6x7 (115° x 140°)
FLD455NC4NGLX	FLD75B2BNTNNGNLX	•	•	•	•	14,500	140	104	100-277 VAC	NEMA 5 (93°)
FLD444NC4NGLX	FLD74B2BNTNNGNLX	•	•	•	•	14,500	140	104	100-277 VAC	NEMA 4 (52°)
FLD422NC4NGLX	FLD72B2BNTNNGNLX	•	•	•	•	13,500	140	96	100-277 VAC	NEMA 2 (23°)
FLD276NC2NGLX	FLD77B2ANTNNGNLX	•	•	•	•	11,500	106	108	100-277 VAC	NEMA 7x6 (140° x 115°)
FLD267NC2NGLX	FLD78B2ANTNNGNLX	•	•	•	•	11,500	106	108	100-277 VAC	NEMA 6x7 (115° x 140°)
FLD266NC2NGLX	FLD76B2ANTNNGNLX	•	•	•	•	11,250	106	106	100-277 VAC	NEMA 6 (115°)
FLD255NC2NGLX	FLD75B2ANTNNGNLX	•	•	•	•	11,000	106	104	100-277 VAC	NEMA 5 (93°)
FLD244NC2NGLX	FLD74B2ANTNNGNLX	•	•	•	•	10,500	106	99	100-277 VAC	NEMA 4 (52°)
FLD222NC2NGLX	FLD72B2ANTNNGNLX	•	•	•	•	10,750	106	101	100-277 VAC	NEMA 2 (23°)
100-277 VAC Models - Polycarbonate Lens, 5000K										
FLD466NC4NPLX	FLD46B2BNTNNGNLX	•				14,000	135	104	100-277 VAC	NEMA 6 (115°)
FLD476NC4NPLX	FLD47B2BNTNNGNLX	•				13,750	135	102	100-277 VAC	NEMA 7x6 (140° x 115°)
FLD467NC4NPLX	FLD48B2BNTNNGNLX	•				13,750	135	102	100-277 VAC	NEMA 6x7 (115° x 140°)
FLD455NC4NPLX	FLD45B2BNTNNGNLX	•				13,500	140	96	100-277 VAC	NEMA 5 (93°)
FLD444NC4NPLX	FLD44B2BNTNNGNLX	•				13,500	140	96	100-277 VAC	NEMA 4 (52°)
FLD422NC4NPLX	FLD42B2BNTNNGNLX	•				12,500	140	89	100-277 VAC	NEMA 2 (23°)
FLD276NC2NPLX	FLD47B2ANTNNGNLX	•				10,500	106	99	100-277 VAC	NEMA 7x6 (140° x 115°)
FLD267NC2NPLX	FLD48B2ANTNNGNLX	•				10,500	106	99	100-277 VAC	NEMA 6x7 (115° x 140°)
FLD266NC2NPLX	FLD46B2ANTNNGNLX	•				10,250	106	97	100-277 VAC	NEMA 6 (115°)
FLD255NC2NPLX	FLD45B2ANTNNGNLX	•				10,000	106	94	100-277 VAC	NEMA 5 (93°)
FLD244NC2NPLX	FLD44B2ANTNNGNLX	•				9,500	106	90	100-277 VAC	NEMA 4 (52°)
FLD222NC2NPLX	FLD42B2ANTNNGNLX	•				9,750	106	92	100-277 VAC	NEMA 2 (23°)
347/480 VAC Models - Glass Lens Only, 5000K										
FLD466NC5NGLX	FLD76B5BNTNNGNLX	•	•	•	•	15,000	135	111	347/480 VAC	NEMA 6 (115°)
FLD476NC5NGLX	FLD77B5BNTNNGNLX	•	•	•	•	14,750	135	109	347/480 VAC	NEMA 7x6 (140° x 115°)
FLD467NC5NGLX	FLD78B5BNTNNGNLX	•	•	•	•	14,750	135	109	347/480 VAC	NEMA 6x7 (115° x 140°)
FLD455NC5NGLX	FLD75B5BNTNNGNLX	•	•	•	•	14,500	140	104	347/480 VAC	NEMA 5 (93°)
FLD444NC5NGLX	FLD74B5BNTNNGNLX	•	•	•	•	14,500	140	104	347/480 VAC	NEMA 4 (52°)
FLD422NC5NGLX	FLD72B5BNTNNGNLX	•	•	•	•	13,500	140	96	347/480 VAC	NEMA 2 (23°)
FLD276NC5NGLX	FLD77B5ANTNNGNLX	•	•	•	•	11,750	112	105	347/480 VAC	NEMA 7x6 (140° x 115°)
FLD267NC5NGLX	FLD78B5ANTNNGNLX	•	•	•	•	11,750	112	105	347/480 VAC	NEMA 6x7 (115° x 140°)
FLD266NC5NGLX	FLD76B5ANTNNGNLX	•	•	•	•	11,250	112	100	347/480 VAC	NEMA 6 (115°)
FLD255NC5NGLX	FLD75B5ANTNNGNLX	•	•	•	•	10,000	112	89	347/480 VAC	NEMA 5 (93°)
FLD244NC5NGLX	FLD74B5ANTNNGNLX	•	•	•	•	10,000	112	89	347/480 VAC	NEMA 4 (52°)
FLD222NC5NGLX	FLD72B5ANTNNGNLX	•	•	•	•	10,000	112	89	347/480 VAC	NEMA 2 (23°)

All values typical unless otherwise stated (tolerance +/- 10%).

Part numbers listed in the table above are powder coated gray. For trunnion mount models with bronze powder coat replace the 10th character with Z.

Part numbers listed in the table above are cool white. For neutral white models, replace the 8th character with an N.

DISCLAIMER. All product information provided is, to the best of Dialight's knowledge, accurate as of the date of publication. When ordering, refer to www.dialight.com for current versions of: (a) relevant product documentation (including the relevant product data sheets); (b) Dialight terms and conditions of sale; and, (c) the relevant product warranty. To the extent that any contract is deemed formed between Dialight and the purchaser of Dialight products and/or an end-user, versions of documents available at www.dialight.com as at the date of sale shall be the versions incorporated therein. In the event of any discrepancy between this document or information provided at www.dialight.com, the latter shall prevail.

SafeSite® LED Floodlight - UL 844

Ordering Information - Slipfitter Model

Classifications: CID2 A, B, C, D

Legacy Part Number	New Part Number	CID2	CIID1	CIID2	CIID3	Fixture Lumens	Wattage	lm/W	Voltage	Beam Distribution
100-277 VAC Models - Glass Lens, 5000K										
FLD466SC4NGLX	FLD76B2BNSNNGNLX	•				15,000	135	111	100-277 VAC	NEMA 6 (115°)
FLD476SC4NGLX	FLD77B2BNSNNGNLX	•				14,750	135	109	100-277 VAC	NEMA 7x6 (140° x 115°)
FLD467SC4NGLX	FLD78B2BNSNNGNLX	•				14,750	135	109	100-277 VAC	NEMA 6x7 (115° x 140°)
FLD455SC4NGLX	FLD75B2BNSNNGNLX	•				14,500	140	104	100-277 VAC	NEMA 5 (93°)
FLD444SC4NGLX	FLD74B2BNSNNGNLX	•				14,500	140	104	100-277 VAC	NEMA 4 (52°)
FLD422SC4NGLX	FLD72B2BNSNNGNLX	•				13,500	140	96	100-277 VAC	NEMA 2 (23°)
FLD276SC2NGLX	FLD77B2ANSNNGNLX	•				11,500	106	108	100-277 VAC	NEMA 7x6 (140° x 115°)
FLD267SC2NGLX	FLD78B2ANSNNGNLX	•				11,500	106	108	100-277 VAC	NEMA 6x7 (115° x 140°)
FLD266SC2NGLX	FLD76B2ANSNNGNLX	•				11,250	106	106	100-277 VAC	NEMA 6 (115°)
FLD255SC2NGLX	FLD75B2ANSNNGNLX	•				11,000	106	104	100-277 VAC	NEMA 5 (93°)
FLD244SC2NGLX	FLD74B2ANSNNGNLX	•				10,500	106	99	100-277 VAC	NEMA 4 (52°)
FLD222SC2NGLX	FLD72B2ANSNNGNLX	•				10,750	106	101	100-277 VAC	NEMA 2 (23°)
100-277 VAC Models - Polycarbonate Lens, 5000K										
FLD466SC4NPLX	FLD46B2BNSNNGNLX	•				14,000	135	104	100-277 VAC	NEMA 6 (115°)
FLD476SC4NPLX	FLD47B2BNSNNGNLX	•				13,750	135	102	100-277 VAC	NEMA 7x6 (140° x 115°)
FLD467SC4NPLX	FLD48B2BNSNNGNLX	•				13,750	135	102	100-277 VAC	NEMA 6x7 (115° x 140°)
FLD455SC4NPLX	FLD45B2BNSNNGNLX	•				13,500	140	96	100-277 VAC	NEMA 5 (93°)
FLD444SC4NPLX	FLD44B2BNSNNGNLX	•				13,500	140	96	100-277 VAC	NEMA 4 (52°)
FLD422SC4NPLX	FLD42B2BNSNNGNLX	•				12,500	140	89	100-277 VAC	NEMA 2 (23°)
FLD276SC2NPLX	FLD47B2ANSNNGNLX	•				10,500	106	99	100-277 VAC	NEMA 7x6 (140° x 115°)
FLD267SC2NPLX	FLD48B2ANSNNGNLX	•				10,500	106	99	100-277 VAC	NEMA 6x7 (115° x 140°)
FLD266SC2NPLX	FLD46B2ANSNNGNLX	•				10,250	106	97	100-277 VAC	NEMA 6 (115°)
FLD255SC2NPLX	FLD45B2ANSNNGNLX	•				10,000	106	94	100-277 VAC	NEMA 5 (93°)
FLD244SC2NPLX	FLD44B2ANSNNGNLX	•				9,500	106	90	100-277 VAC	NEMA 4 (52°)
FLD222SC2NPLX	FLD42B2ANSNNGNLX	•				9,750	106	92	100-277 VAC	NEMA 2 (23°)
347/480 VAC Models - Glass Lens Only, 5000K										
FLD466SC5NGLX	FLD76B5BNSNNGNLX	•				15,000	135	111	347/480 VAC	NEMA 6 (115°)
FLD476SC5NGLX	FLD77B5BNSNNGNLX	•				14,750	135	109	347/480 VAC	NEMA 7x6 (140° x 115°)
FLD467SC5NGLX	FLD78B5BNSNNGNLX	•				14,750	135	109	347/480 VAC	NEMA 6x7 (115° x 140°)
FLD455SC5NGLX	FLD75B5BNSNNGNLX	•				14,500	140	104	347/480 VAC	NEMA 5 (93°)
FLD444SC5NGLX	FLD74B5BNSNNGNLX	•				14,500	140	104	347/480 VAC	NEMA 4 (52°)
FLD422SC5NGLX	FLD72B5BNSNNGNLX	•				13,500	140	96	347/480 VAC	NEMA 2 (23°)
FLD276SC5NGLX	FLD77B5ANSNNGNLX	•				11,750	112	105	347/480 VAC	NEMA 7x6 (140° x 115°)
FLD267SC5NGLX	FLD78B5ANSNNGNLX	•				11,750	112	105	347/480 VAC	NEMA 6x7 (115° x 140°)
FLD266SC5NGLX	FLD76B5ANSNNGNLX	•				11,250	112	100	347/480 VAC	NEMA 6 (115°)
FLD255SC5NGLX	FLD75B5ANSNNGNLX	•				10,000	112	89	347/480 VAC	NEMA 5 (93°)
FLD244SC5NGLX	FLD74B5ANSNNGNLX	•				10,000	112	89	347/480 VAC	NEMA 4 (52°)
FLD222SC5NGLX	FLD72B5ANSNNGNLX	•				10,000	112	89	347/480 VAC	NEMA 2 (23°)

All values typical unless otherwise stated (tolerance +/- 10%).

Part numbers listed in the table above are cool white. For neutral white models, replace the 8th character with an N.

DISCLAIMER. All product information provided is, to the best of Dialight's knowledge, accurate as of the date of publication. When ordering, refer to www.dialight.com for current versions of: (a) relevant product documentation (including the relevant product data sheets); (b) Dialight terms and conditions of sale; and, (c) the relevant product warranty. To the extent that any contract is deemed formed between Dialight and the purchaser of Dialight products and/or an end-user, versions of documents available at www.dialight.com as at the date of sale shall be the versions incorporated therein. In the event of any discrepancy between this document or information provided at www.dialight.com, the latter shall prevail.

North American HQ

1501 Route 34 South
Farmingdale, NJ 07727
Tel: 732-919-3119
Fax: 732-751-5778
info@dialight.com

EMEA Technical Centre

Ejby Industrivej 91 B
2600 Glostrup
Tel: +45 8877 4545 (Denmark)
Tel: +44 1638 666541 (UK)
Tel: +49 89 12089 5713 (Germany)
Tel: +33 3 23 22 62 58 (France)
sales-europe@dialight.com

Middle East

Level 42
Emirates Towers (Office Tower)
Sheikh Zayed Road
Dubai, United Arab Emirates
Fax: +971 (0) 4319 7686
Tel: +971 (0) 4319 7686

Australia

108 Howe Street
Osborne Park, WA 6017
Tel: +61 (0) 8 9244 7600
Fax: +61 (0) 8 9244 7601
info@dialight.com.au

Southeast Asia

33 Ubi Avenue 3
#07-72 Vertex (Tower A)
Singapore 408868
Tel: +65 6578 7157
Fax: +65 6578 7150
enquiry@dialight.com.sg

Brazil

Alameda Mercurio,
225 – American Park Empresarial NR
Indaiatuba – SP – 13347– 662
Tel: +55 (19) 3113-4300
Fax: +55 (19) 3113-4300
brasil@dialight.com



DISTRIBUIDOR AUTORIZADO:

L&A ILLUMINACION S.A DE C.V.

www.lyailuminacion.com.mx; Email: lya@lyailuminacion.com.mx

Tel: CdMx: 55+5363 4861 / 8381; Tequisquiapan: 414 273 0605.

WARNING / DISCLAIMERS:

Installation & secondary retention. The use of this product without proper installation (including secondary retention / netting) and periodic inspections, could cause severe injury or death. Dialight recommends that all installations should use secondary retention / netting (appropriate to the installation environment) as applicable. Dialight products are intended for ultimate purchase, installation and operation by knowledgeable persons trained in the functional assessment, installation, use and maintenance of such products and all customers (including but not limited to end customers) are responsible for assessing the suitability of Dialight products for any given installation requirement. It is the exclusive responsibility of the contractor, installer and/or end-user to: (a) determine the suitability of the product for its intended application; and, (b) ensure that the product is safely installed (with secondary retention / netting as appropriate) and in compliance with all applicable laws and regulations.

Product specifications & warranties. All product information provided is, to the best of Dialight's knowledge, accurate as of the date of publication. All values and performance data herein are design or typical values when measured under laboratory conditions. The information herein is subject to change without notice. The products / software detailed herein are subject to applicable warranties and terms and conditions of use/purchase. Unless agreed otherwise in writing by an authorized representative of Dialight, Dialight does not represent that its products are fit for any particular purpose and accepts no liability for the installation and/or unauthorised use of its products. When ordering, refer to www.dialight.com for current versions of: (a) relevant product documentation (including relevant product data sheets); (b) Dialight terms and conditions of sale; and, (c) the relevant product warranties. To the extent that any contract is deemed formed between Dialight and the purchaser of Dialight products and/or an end-user, versions of documents available at www.dialight.com as at the date of sale shall be the versions incorporated therein. In the event of any discrepancy between this document and information provided at www.dialight.com, the latter shall prevail.

Exclusion of liability. To the extent permissible under the relevant law, Dialight disclaims all liability for personal injury and/or other damage resulting from any dislodgment or other dislocation of its products. Whilst Dialight has used its reasonable endeavours to ensure the completeness and accuracy of information herein, Dialight does not assume any liability for damages resulting from use of this information or for any third-party representations made in relation to Dialight products.