



Dialight® LED High Bay & Low Bay
Technical Specification Sheet - Americas

Vigilant® LED High Bay - UL / CSA

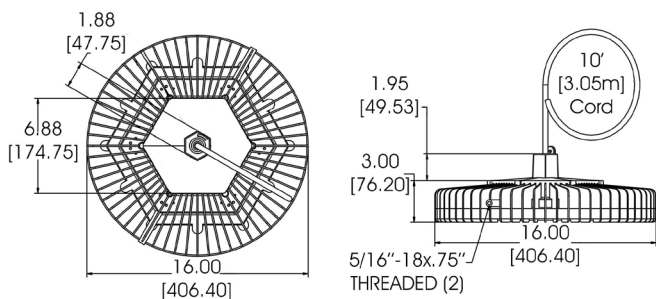
Corded Model & Integrated Wiring Box Model

Corded Model

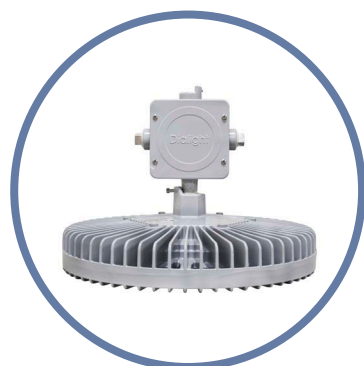


Mechanical Information:

- Fixture weight:**
18 lbs (8.16kg)
- Shipping weight:**
24 lbs (10.8kg)
- Mounting:**
3/4" NPT - top
Various Kits
- Power Cord:**
10' 18 AWG ST00W/S00W
Patent pending

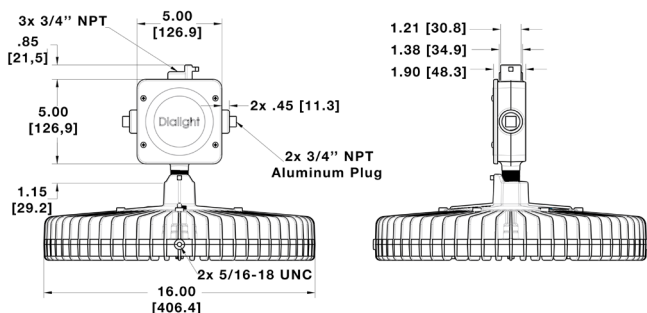


Integrated Wiring Box Model



Mechanical Information:

- Fixture weight:**
20 lbs (9 kg)
- Shipping weight:**
26 lbs (12 kg)
- Mounting:**
3/4" NPT or Hook
- Wiring Box Cable Entries:**
(2x) 3/4" NPT



Dimensions in inches (mm)

WARNING - INSTALLATION & SECONDARY RETENTION. Use of any Dialight products without proper installation (including secondary retention / netting) and periodic inspections could cause severe injury or death. Dialight recommends that all installations should use secondary retention / netting (appropriate to the installation environment) where applicable. It is the exclusive responsibility of the contractor, installer and/or end-user to: (a) determine the suitability of the product for its intended application; and, (b) ensure that the product is safely installed (with secondary retention / netting where appropriate) and in compliance with all applicable laws and regulations. To the extent permissible under applicable laws, Dialight disclaims all liability for personal injury and/or other damage resulting from any dislodgment or other dislocation of its products.

Certifications & Ratings:

- 10 year warranty
- UL 1598/A
- UL 8750
- IP66/67
- CSA C22.2 No. 250.0-08
- NEMA 4X
- L70 rated for >150,000 hours

Variable Dimming:

Variable Dimming Control: 0-10 VDC

Dimming Range: 10 VDC = 100% light output
0 VDC = <10% light output

Occupancy Sensor:

Mounting Height: Up to 40ft
Ingress Protection: IP66

Electrical Specifications:

Operating Voltage: 100-277 VAC, 120-250 VDC
347-480 VAC

Total system power consumption: See table

Operating Temp: -40°F to +149°F (-40°C to +65°C)

Harmonics: IEC 61000-3-2 Class C

Noise requirement /EMC: FCC Title 47, Subpart B, Section 15, class A device. RF Immunity; 10V/m, 80MHz-1GHz

Transient protection: 100-277 VAC models tested to withstand up to 8kV/4kA per IEEE C62.41.
347-480 VAC models tested to withstand up to 6kV/3kA per IEEE C62.41

THD: <20%

Power Factor: >0.9

Fusing: Internal

Construction:

Housing: Copper free aluminum
Finish: Superior dual coat finish
Sealed polyester topcoat
Chemical-resistant epoxy primer

Lens: See table

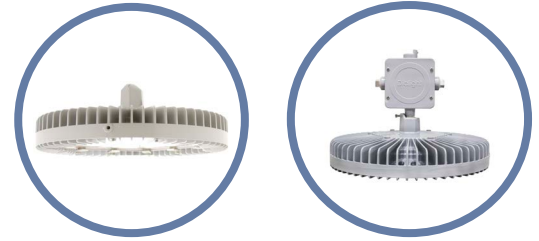
Photometric Information:

CRI: 80
CCT: 5000K (cool white)
4000K (neutral white)

All values typical unless otherwise stated (tolerance +/- 10%)

Vigilant® LED High Bay - UL / CSA

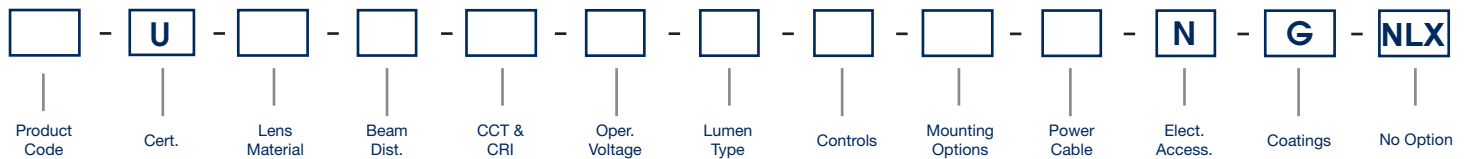
Corded & Integrated Wiring Box



Project Information	
Part Number:	
Project:	
Fixture Type:	Date:

Specifications

Ordering Information



Product Code	Beam Distribution	Lumen Type	Power Cable
HC High Bay Integrated Pendant Wiring Box	E Oval	A 11,600 Lumens	N No Cord (HC only)
HE High Bay 3/4" NPT	M Medium	B 14,900 Lumens	W 10' [3 meter] Power Cable (HE only)
	N Narrow	C 19,800 Lumens	
	W Wide	E 27,500 Lumens	
Certification	CCT & CRI	Controls	Electrical Accessories
U UL 1598/A, CSA	C Cool White 5000K - 80 CRI	D Dimming (0-10V)	N No Plug
	N Neutral White 4000K - 80 CRI	N No Dimming (HE only)	
		M Occupancy Sensor (HC only)	
Lens Material	Operating Voltage	Mounting Options	Coatings
2 Acrylic - Clear (dry location only)	2 100-277 VAC / 120-250 VDC	H Hook	G Gray (RAL 7040)
4 Polycarbonate - Clear	5 347-480 VAC	N Pendant 3/4" NPT	
7 Glass - Clear		P Pendant 3/4" NPT with Safety Retention Tabs	
L Polycarbonate Dome - Diffused		R Safety Retention Tabs with Hook	
R Power Wash Glass, Clear			Option
			NLX No Option

- Notes**
- 1) Lumen type based on using a glass lens. See tables for lumens when changing lenses.
 - 2) When ordering occupancy sensor, use prefix HC.
 - 3) When ordering option HC, Controls = (D) Dimming or (M) Occupancy Sensor.

DISCLAIMER. All product information provided is, to the best of Dialight's knowledge, accurate as of the date of publication. When ordering, refer to www.dialight.com for current versions of: (a) relevant product documentation (including the relevant product data sheets); (b) Dialight terms and conditions of sale; and, (c) the relevant product warranty. To the extent that any contract is deemed formed between Dialight and the purchaser of Dialight products and/or an end-user, versions of documents available at www.dialight.com as at the date of sale shall be the versions incorporated therein. In the event of any discrepancy between this document or information provided at www.dialight.com, the latter shall prevail.

Ordering Information

Vigilant® LED High Bay - Corded Model



Corded Model - 3/4" Conduit - 100-277 VAC / 120-250 VDC

Part Number	Lumens	Wattage	lm/W	CCT	Lens	Beam Distribution	Hardware Options	Wiring
HEU-7MC2-ENNW-NGNLX	27,500	185	149	CW	Glass - Clear	Medium	Pendant 3/4" NPT	10' Power Cable
HEU-7MC2-ENPW-NGNLX	27,500	185	149	CW	Glass - Clear	Medium	Pendant 3/4" NPT with Safety Tabs	10' Power Cable
HEU-7MC2-EDNW-NGNLX	27,500	185	149	CW	Glass - Clear	Medium	Pendant 3/4" NPT	10' Power Cable
HEU-4MC2-ENNW-NGNLX	27,200	185	147	CW	Polycarbonate - Clear	Medium	Pendant 3/4" NPT	10' Power Cable
HEU-2MC2-ENNW-NGNLX	27,200	185	147	CW	Acrylic - Clear	Medium	Pendant 3/4" NPT	10' Power Cable
HEU-LMC2-ENNW-NGNLX	27,000	185	146	CW	Polycarbonate Dome - Diffused	Medium	Pendant 3/4" NPT	10' Power Cable
HEU-2WC2-ENNW-NGNLX	27,000	185	146	CW	Acrylic - Clear	Wide	Pendant 3/4" NPT	10' Power Cable
HEU-7MC2-CNNW-NGNLX	19,800	130	152	CW	Glass - Clear	Medium	Pendant 3/4" NPT	10' Power Cable
HEU-7MC2-CNPW-NGNLX	19,800	130	152	CW	Glass - Clear	Medium	Pendant 3/4" NPT with Safety Tabs	10' Power Cable
HEU-7MC2-CDNW-NGNLX	19,800	130	152	CW	Glass - Clear	Medium	Pendant 3/4" NPT	10' Power Cable
HEU-4MC2-CNNW-NGNLX	19,600	130	151	CW	Polycarbonate - Clear	Medium	Pendant 3/4" NPT	10' Power Cable
HEU-LMC2-CNNW-NGNLX	19,400	130	149	CW	Polycarbonate Dome - Diffused	Medium	Pendant 3/4" NPT	10' Power Cable
HEU-7MN2-CNNW-NGNLX	19,400	130	149	NW	Glass - Clear	Medium	Pendant 3/4" NPT	10' Power Cable
HEU-7MC2-BNNW-NGNLX	14,900	100	149	CW	Glass - Clear	Medium	Pendant 3/4" NPT	10' Power Cable
HEU-4MC2-BNNW-NGNLX	14,800	100	148	CW	Polycarbonate - Clear	Medium	Pendant 3/4" NPT	10' Power Cable
HEU-LMC2-BNPW-NGNLX	14,600	100	146	CW	Polycarbonate Dome - Diffused	Medium	Pendant 3/4" NPT with Safety Tabs	10' Power Cable
HEU-LMC2-BNNW-NGNLX	14,600	100	146	CW	Polycarbonate Dome - Diffused	Medium	Pendant 3/4" NPT	10' Power Cable
HEU-7MC2-ANNW-NGNLX	11,600	80	145	CW	Glass - Clear	Medium	Pendant 3/4" NPT	10' Power Cable
HEU-4MC2-ANNW-NGNLX	11,500	80	144	CW	Polycarbonate - Clear	Medium	Pendant 3/4" NPT	10' Power Cable
HEU-2MC2-ANNW-NGNLX	11,500	80	144	CW	Acrylic - Clear	Medium	Pendant 3/4" NPT	10' Power Cable
HEU-LMC2-ANNW-NGNLX	11,400	80	143	CW	Polycarbonate Dome - Diffused	Medium	Pendant 3/4" NPT	10' Power Cable

Corded Model - 3/4" Conduit - 347-480 VAC

HEU-7MC5-EDNW-NGNLX	27,500	185	149	CW	Glass - Clear	Medium	Pendant 3/4" NPT	10' Power Cable
HEU-7MC5-ENNW-NGNLX	27,500	185	149	CW	Glass - Clear	Medium	Pendant 3/4" NPT	10' Power Cable
HEU-7MC5-ENPW-NGNLX	27,500	185	149	CW	Glass - Clear	Medium	Pendant 3/4" NPT with Safety Tabs	10' Power Cable
HEU-4MC5-ENPW-NGNLX	27,200	185	147	CW	Polycarbonate - Clear	Medium	Pendant 3/4" NPT with Safety Tabs	10' Power Cable
HEU-7WC5-ENPW-NGNLX	27,200	185	147	CW	Glass - Clear	Wide	Pendant 3/4" NPT with Safety Tabs	10' Power Cable
HEU-7EC5-ENNW-NGNLX	25,900	185	140	CW	Glass - Clear	Oval	Pendant 3/4" NPT	10' Power Cable
HCU-4EC5-EMNW-NGNLX	25,600	185	138	CW	Polycarbonate - Clear	Oval	Pendant 3/4" NPT	10' Power Cable
HEU-7MC5-CDNW-NGNLX	19,800	130	152	CW	Glass - Clear	Medium	Pendant 3/4" NPT	10' Power Cable
HEU-7MC5-CNHW-NGNLX	19,800	130	152	CW	Glass - Clear	Medium	Hook	10' Power Cable
HEU-7MC5-CNNW-NGNLX	19,800	130	152	CW	Glass - Clear	Medium	Pendant 3/4" NPT	10' Power Cable
HEU-LMC5-CNNW-NGNLX	19,400	130	149	CW	Polycarbonate Dome - Diffused	Medium	Pendant 3/4" NPT	10' Power Cable
HEU-7MC5-BNNW-NGNLX	14,900	100	149	CW	Glass - Clear	Medium	Pendant 3/4" NPT	10' Power Cable
HEU-7MC5-ADNW-NGNLX	11,600	80	145	CW	Glass - Clear	Medium	Pendant 3/4" NPT	10' Power Cable
HEU-7MC5-ANNW-NGNLX	11,600	80	145	CW	Glass - Clear	Medium	Pendant 3/4" NPT	10' Power Cable
HEU-4MC5-ADNW-NGNLX	11,500	80	144	CW	Polycarbonate - Clear	Medium	Pendant 3/4" NPT	10' Power Cable
HEU-LMC5-ANNW-NGNLX	11,400	80	143	CW	Polycarbonate Dome - Diffused	Medium	Pendant 3/4" NPT	10' Power Cable

All values typical unless otherwise stated (tolerance +/- 0%)

0-10V dimming option available for products in the above table. Replace the ninth character **N** with **D**. Ex: HEU-7MC2-ENNW-NGNLX becomes HEU-7MC2-EDNW-NGNLX.

Acrylic lens is dry location only.

DISCLAIMER. All product information provided is, to the best of Dialight's knowledge, accurate as of the date of publication. When ordering, refer to www.dialight.com for current versions of: (a) relevant product documentation (including the relevant product data sheets); (b) Dialight terms and conditions of sale; and, (c) the relevant product warranty. To the extent that any contract is deemed formed between Dialight and the purchaser of Dialight products and/or an end-user, versions of documents available at www.dialight.com as at the date of sale shall be the versions incorporated therein. In the event of any discrepancy between this document or information provided at www.dialight.com, the latter shall prevail.



Ordering Information

Vigilant® LED High Bay - Integrated Wiring Box Model

Integrated Wiring Box Model - 3/4" Conduit - 100-277 VAC / 120-250 VDC								
Part Number	Lumens	Wattage	lm/W	CCT	Lens	Beam Distribution	Hardware Options	Wiring
HCU-7MC2-EDNN-NGNLX	27,500	185	149	CW	Glass - Clear	Medium	Wiring Box	Wiring Box
HCU-7MC2-EMNN-NGNLX	27,500	185	149	CW	Glass - Clear	Medium	Wiring Box	Wiring Box
HCU-LMC2-EMNN-NGNLX	27,000	185	146	CW	Polycarbonate Dome - Diffused	Medium	Wiring Box	Wiring Box
HCU-LMC2-EDNN-NGNLX	27,000	185	146	CW	Polycarbonate Dome - Diffused	Medium	Wiring Box	Wiring Box
HCU-7MC2-CDNN-NGNLX	19,800	130	152	CW	Glass - Clear	Medium	Wiring Box	Wiring Box
HCU-7MC2-CMNN-NGNLX	19,800	130	152	CW	Glass - Clear	Medium	Wiring Box	Wiring Box
HCU-LMC2-CDNN-NGNLX	19,400	130	149	CW	Polycarbonate Dome - Diffused	Medium	Wiring Box	Wiring Box
HCU-LMC2-CMNN-NGNLX	19,400	130	149	CW	Polycarbonate Dome - Diffused	Medium	Wiring Box	Wiring Box
HCU-7MC2-BDNN-NGNLX	14,900	100	149	CW	Glass - Clear	Medium	Wiring Box	Wiring Box
HCU-7MC2-BMNN-NGNLX	14,900	100	149	CW	Glass - Clear	Medium	Wiring Box	Wiring Box
HCU-LMC2-BDNN-NGNLX	14,600	100	146	CW	Polycarbonate Dome - Diffused	Medium	Wiring Box	Wiring Box
HCU-LMC2-BMNN-NGNLX	14,600	100	146	CW	Polycarbonate Dome - Diffused	Medium	Wiring Box	Wiring Box
HCU-7MC2-ADNN-NGNLX	11,600	80	145	CW	Glass - Clear	Medium	Wiring Box	Wiring Box
HCU-7MC2-AMNN-NGNLX	11,600	80	145	CW	Glass - Clear	Medium	Wiring Box	Wiring Box
HCU-LMC2-ADNN-NGNLX	11,400	80	143	CW	Polycarbonate Dome - Diffused	Medium	Wiring Box	Wiring Box
HCU-LMC2-AMNN-NGNLX	11,400	80	143	CW	Polycarbonate Dome - Diffused	Medium	Wiring Box	Wiring Box

All values typical unless otherwise stated (tolerance +/- 10%)

DISCLAIMER. All product information provided is, to the best of Dialight's knowledge, accurate as of the date of publication. When ordering, refer to www.dialight.com for current versions of: (a) relevant product documentation (including the relevant product data sheets); (b) Dialight terms and conditions of sale; and, (c) the relevant product warranty. To the extent that any contract is deemed formed between Dialight and the purchaser of Dialight products and/or an end-user, versions of documents available at www.dialight.com as at the date of sale shall be the versions incorporated therein. In the event of any discrepancy between this document or information provided at www.dialight.com, the latter shall prevail.

Vigilant® LED High Bay - UL / CSA

Passive Power Supply Model - 347 & 480 VAC



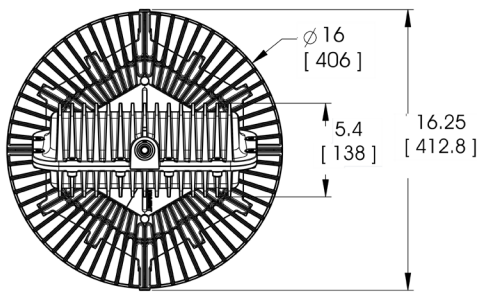
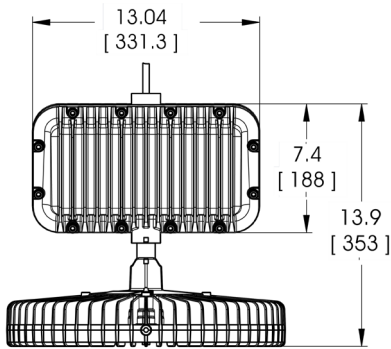
Mechanical Information:

Fixture weight:
40 lbs (18 kg)

Shipping weight:
45 lbs (20 kg)

Mounting:
3/4" NPT - top
Various Kits

Power cord:
10' 18 AWG STOOW/SOOW
Patent pending



Dimensions in inches (mm)

Certifications & Ratings:

10 year warranty
UL 1598/A
UL 8750
IP66

CSA C22.2 No. 250.0-08
NEMA 4X
L70 rated for >150,000 hours

Electrical Specifications:

Operating Voltage: 347 or 480 VAC

Total system power consumption: See table

Operating Temp: -40°F to +149°F (-40°C to +65°C)

Harmonics: IEC 61000-3-2 Class C

Noise requirement /EMC: FCC Title 47, Subpart B, Section 15, class A device. RF Immunity; 10V/m, 80MHz-1GHz

Transient protection: Protection devices capable of handling up to 10kV. Tested for 10kV/2 ohm combination wave, as per IEEE C62.41, line-line and line ground

THD: <20%

Fusing: Internal

Construction:

Housing: Copper free aluminum

Finish: Superior dual coat finish
Sealed polyester topcoat
Chemical-resistant epoxy primer

Lens: See table

Photometric Information:

CRI: 80

CCT: 5000K (cool white)
4000K (neutral white)

All values typical unless otherwise stated (tolerance +/- 10%)

WARNING - INSTALLATION & SECONDARY RETENTION. Use of any Dialight products without proper installation (including secondary retention / netting) and periodic inspections could cause severe injury or death. Dialight recommends that all installations should use secondary retention / netting (appropriate to the installation environment) where applicable. It is the exclusive responsibility of the contractor, installer and/or end-user to: (a) determine the suitability of the product for its intended application; and, (b) ensure that the product is safely installed (with secondary retention / netting where appropriate) and in compliance with all applicable laws and regulations. To the extent permissible under applicable laws, Dialight disclaims all liability for personal injury and/or other damage resulting from any dislodgment or other dislocation of its products.

Vigilant® LED High Bay - UL / CSA

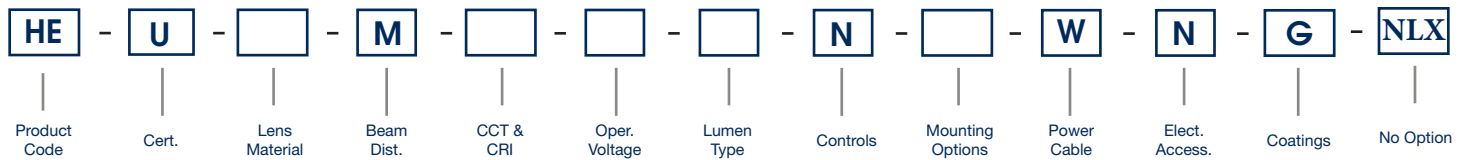
Passive Power Supply Model - 347 & 480 VAC



Project Information	
Part Number:	
Project:	
Fixture Type:	Date:

Specifications

Ordering Information



Product Code HE High Bay	Beam Distribution M Medium	Lumen Type A 11,300 Lumens B 14,300 Lumens C 18,000 Lumens E 27,000 Lumens	Power Cable W 10' (3 meter) Power Cable
Certification U UL 1598/A, CSA	CCT & CRI C Cool White 5000K - 80 CRI N Neutral White 4000K - 80 CRI	Controls N No Option	Electrical Accessories N No Plug
Lens Material 7 Glass - Clear L Polycarbonate Dome - Diffused R Power Wash Glass, Clear	Operating Voltage P 480 VAC Passive Q 347 VAC Passive	Mounting Options H Hook N Pendant 3/4" NPT P Pendant 3/4" NPT with Safety Retention Tabs R Safety Retention Tabs with Hook	Coatings G Gray (RAL 7040)
			Option NLX No Option

Notes

1) Lumen type based on using a glass lens. See tables for lumens when changing lenses.

DISCLAIMER. All product information provided is, to the best of Dialight's knowledge, accurate as of the date of publication. When ordering, refer to www.dialight.com for current versions of: (a) relevant product documentation (including the relevant product data sheets); (b) Dialight terms and conditions of sale; and, (c) the relevant product warranty. To the extent that any contract is deemed formed between Dialight and the purchaser of Dialight products and/or an end-user, versions of documents available at www.dialight.com as at the date of sale shall be the versions incorporated therein. In the event of any discrepancy between this document or information provided at www.dialight.com, the latter shall prevail.

Ordering Information

Vigilant® LED High Bay - Passive Power Supply Model



Passive Power Supply Model - 347 VAC								
Part Number	Lumens	Wattage	lm/W	CCT	Lens	Beam Distribution	Hardware Options	Wiring
HEU-7MCQ-ENNW-NGNLX	27,000	206	131	CW	Glass - Clear	Medium	Pendant 3/4" NPT	10' Power Cable
HEU-7MCQ-CNNW-NGNLX	18,000	136	132	CW	Glass - Clear	Medium	Pendant 3/4" NPT	10' Power Cable
HEU-7MCQ-BNNW-NGNLX	14,300	100	143	CW	Glass - Clear	Medium	Pendant 3/4" NPT	10' Power Cable
HEU-7MCQ-ANNW-NGNLX	11,300	81	140	CW	Glass - Clear	Medium	Pendant 3/4" NPT	10' Power Cable
Passive Power Supply Model - 480 VAC								
HEU-7MCP-ENNW-NGNLX	27,000	206	131	CW	Glass - Clear	Medium	Pendant 3/4" NPT	10' Power Cable
HEU-7MCP-CNNW-NGNLX	18,000	129	140	CW	Glass - Clear	Medium	Pendant 3/4" NPT	10' Power Cable
HEU-7MCP-BNNW-NGNLX	14,300	116	123	CW	Glass - Clear	Medium	Pendant 3/4" NPT	10' Power Cable
HEU-7MCP-ANNW-NGNLX	11,300	73	155	CW	Glass - Clear	Medium	Pendant 3/4" NPT	10' Power Cable

All values typical unless otherwise stated (tolerance +/- 10%)

DISCLAIMER. All product information provided is, to the best of Dialight's knowledge, accurate as of the date of publication. When ordering, refer to www.dialight.com for current versions of: (a) relevant product documentation (including the relevant product data sheets); (b) Dialight terms and conditions of sale; and, (c) the relevant product warranty. To the extent that any contract is deemed formed between Dialight and the purchaser of Dialight products and/or an end-user, versions of documents available at www.dialight.com as at the date of sale shall be the versions incorporated therein. In the event of any discrepancy between this document or information provided at www.dialight.com, the latter shall prevail.

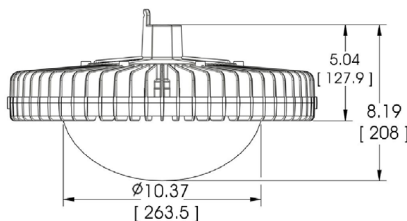
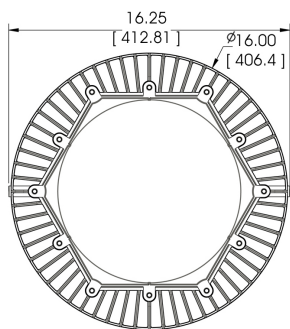
Vigilant® LED Low Bay - UL / CSA Corded Model & Integrated Wiring Box Model

Corded Model



Mechanical Information:

- Fixture weight:**
18 lbs (8.16kg)
- Shipping weight:**
24 lbs (10.8kg)
- Mounting:**
3/4" NPT - top
Various Kits
- Power Cord:**
10' 18 AWG ST00W/S00W

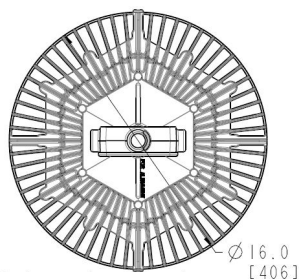
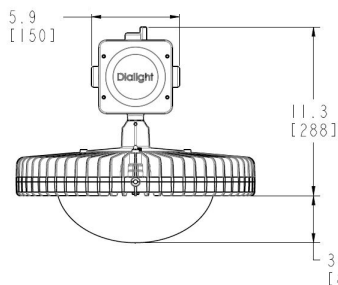


Integrated Wiring Box Model



Mechanical Information:

- Fixture weight:**
20 lbs (9 kg)
- Shipping weight:**
26 lbs (12 kg)
- Mounting:**
3/4" NPT or Hook
Various Kits
- Wiring Box Cable Entries:**
(2x) 3/4" NPT



Dimensions in inches (mm)

WARNING - INSTALLATION & SECONDARY RETENTION. Use of any Dialight products without proper installation (including secondary retention / netting) and periodic inspections could cause severe injury or death. Dialight recommends that all installations should use secondary retention / netting (appropriate to the installation environment) where applicable. It is the exclusive responsibility of the contractor, installer and/or end-user to: (a) determine the suitability of the product for its intended application; and, (b) ensure that the product is safely installed (with secondary retention / netting where appropriate) and in compliance with all applicable laws and regulations. To the extent permissible under applicable laws, Dialight disclaims all liability for personal injury and/or other damage resulting from any dislodgment or other dislocation of its products.

Certifications & Ratings:

- 10 year warranty
- UL 1598/A
- UL 8750
- IP66/67
- CSA C22.2 No. 250.0-08
- NEMA 4X
- L70 rated for >150,000 hours

Variable Dimming:

Variable Dimming Control: 0-10 VDC

Dimming Range: 10 VDC = 100% light output
0 VDC = <10% light output

Occupancy Sensor:

Mounting Height: Up to 40ft
Ingress Protection: IP66

Electrical Specifications:

Operating Voltage: 100-277 VAC (120-250 VDC)
347-480 VAC

Total system power consumption: See table

Operating Temp: -40°F to +149°F (-40°C to +65°C)

Harmonics: IEC 61000-3-2 Class C

Noise requirement /EMC: FCC Title 47, Subpart B, Section 15, class A device. RF Immunity; 10V/m, 80MHz-1GHz

Transient protection: 100-277 VAC models tested to withstand up to 8kV/4kA per IEEE C62.41
347-480VAC models tested to withstand up to 6kV/3kA per IEEE C62.41

THD: 6k-18k lm models: <20%
4k lm models: <30%

Power Factor: >0.9

Fusing: Internal

Construction:

Housing: Copper free aluminum
Finish: Superior dual coat finish
Sealed polyester topcoat
Chemical-resistant epoxy primer

Lens: See table

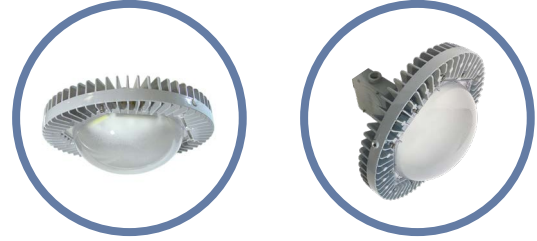
Photometric Information:

CRI: 80
CCT: 5000K (cool white)
4000K (neutral white)

All values typical unless otherwise stated (tolerance +/- 10%)

Vigilant® LED Low Bay - UL / CSA

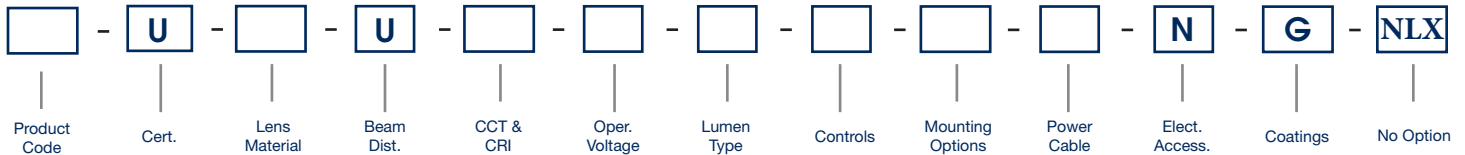
Corded & Integrated Wiring Box



Project Information	
Part Number:	
Project:	
Fixture Type:	Date:

Specifications

Ordering Information



Product Code	Beam Distribution	Lumen Type	Power Cable
LC Low Bay Integrated Wiring Box	U Ultra Wide	4 3,900 Lumens (100-277V only)	N No Cord (LC only)
LE Low Bay		6 6,400 Lumens (100-277V only)	W 10' [3 meter] Power Cable (LE only)
		9 9,200 Lumens	
		B 13,200 Lumens	
		C 17,200 Lumens	
Certification	CCT & CRI	Controls	Electrical Accessories
U UL 1598/A	C Cool White 5000K - 80 CRI	D Dimming (0-10V)	N No Plug
	N Neutral White 4000K - 80 CRI	M Occupancy Sensor (LC only)	
		N No Option (LE only)	
Lens Material	Operating Voltage	Mounting Options	Coatings
2 Acrylic - Clear (dry location only)	2 100-277 VAC / 120-250 VDC	H Hook	G Gray (RAL 7040)
3 Acrylic - Diffused (dry location only)	5 347-480 VAC	N Pendant 3/4" NPT	
4 Polycarbonate - Clear		P Pendant 3/4" NPT with Safety Retention Tabs	
5 Polycarbonate - Diffused		R Safety Retention Tabs with Hook	
L Polycarbonate Dome - Diffused			Option
			NLX No Option

- Notes**
- 1) Lumen type based on using a polycarbonate dome lens. See tables for lumens when changing lenses.
 - 2) Acrylic lens dry location only.
 - 3) When ordering occupancy sensor, use prefix LC.

DISCLAIMER. All product information provided is, to the best of Dialight's knowledge, accurate as of the date of publication. When ordering, refer to www.dialight.com for current versions of: (a) relevant product documentation (including the relevant product data sheets); (b) Dialight terms and conditions of sale; and, (c) the relevant product warranty. To the extent that any contract is deemed formed between Dialight and the purchaser of Dialight products and/or an end-user, versions of documents available at www.dialight.com as at the date of sale shall be the versions incorporated therein. In the event of any discrepancy between this document or information provided at www.dialight.com, the latter shall prevail.

Ordering Information

Vigilant® LED Low Bay - Corded Model



Corded Model - 3/4" Conduit - 100-277 VAC / 120-250 VDC								
Part Number	Lumens	Wattage	lm/W	CCT	Lens	Beam Distribution	Hardware Options	Power Cable
LEU-LUC2-9NNW-NGNLX	9,200	78	118	CW	Polycarbonate Dome - Diffused	Ultra Wide	Pendant 3/4" NPT	10' Power Cable
LEU-LUC2-9NPW-NGNLX	9,200	78	118	CW	Polycarbonate Dome - Diffused	Ultra Wide	Pendant 3/4" NPT with Safety Tabs	10' Power Cable
LEU-LUC2-6NNW-NGNLX	6,400	50	128	CW	Polycarbonate Dome - Diffused	Ultra Wide	Pendant 3/4" NPT	10' Power Cable
LEU-LUC2-4NNW-NGNLX	3,900	38	103	CW	Polycarbonate Dome - Diffused	Ultra Wide	Pendant 3/4" NPT	10' Power Cable
Corded Model - 3/4" Conduit - 347-480 VAC								
LEU-LUC5-9NNW-NGNLX	9,200	78	118	CW	Polycarbonate Dome - Diffused	Ultra Wide	Pendant 3/4" NPT	10' Power Cable
LEU-LUC5-9DNW-NGNLX	9,200	78	118	CW	Polycarbonate Dome - Diffused	Ultra Wide	Pendant 3/4" NPT	10' Power Cable

All values typical unless otherwise stated (tolerance +/- 0%)
 0-10V dimming option available for products in the above table. Replace the ninth character **N** with **D**. Ex: LEU-LUC2-9NNW-NGNLX becomes LEU-LUC2-9DNW-NGNLX.

Ordering Information

Vigilant® LED Low Bay - Integrated Wiring Box Model



Integrated Wiring Box Model - 100-277 VAC / 120-250 VDC								
Part Number	Lumens	Wattage	lm/W	CCT	Lens	Beam Distribution	Hardware Options	Power Cable
LCU-LUC2-9DNW-NGNLX	9,200	78	118	CW	Polycarbonate Dome - Diffused	Ultra Wide	Wiring Box	Wiring Box
LCU-LUC2-6MNW-NGNLX	6,400	50	128	CW	Polycarbonate Dome - Diffused	Ultra Wide	Wiring Box	Wiring Box
LCU-LUC2-4MNW-NGNLX	3,900	38	103	CW	Polycarbonate Dome - Diffused	Ultra Wide	Wiring Box	Wiring Box

All values typical unless otherwise stated (tolerance +/- 10%)

Specification sheets with additional options available, with extended lead times, are available on page 10

DISCLAIMER. All product information provided is, to the best of Dialight's knowledge, accurate as of the date of publication. When ordering, refer to www.dialight.com for current versions of: (a) relevant product documentation (including the relevant product data sheets); (b) Dialight terms and conditions of sale; and, (c) the relevant product warranty. To the extent that any contract is deemed formed between Dialight and the purchaser of Dialight products and/or an end-user, versions of documents available at www.dialight.com as at the date of sale shall be the versions incorporated therein. In the event of any discrepancy between this document or information provided at www.dialight.com, the latter shall prevail.

SafeSite® LED High Bay - UL / CSA

Class I, Div. 1 and Class I, Zone 1 - 100-277 VAC

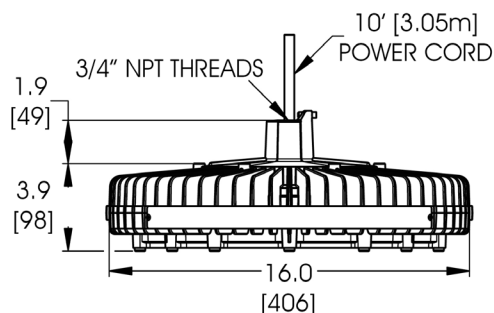
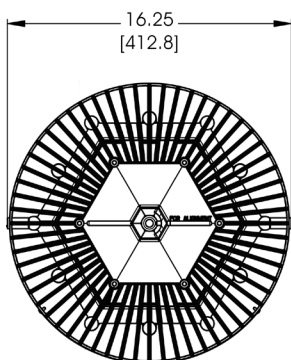


Mechanical Information:

- Fixture weight:**
30 lbs (14 kg)
- Shipping weight:**
35 lbs (19 kg)
- Mounting:**
3/4" NPT - top
Various Kits
- Power Cord:**
10' 18 AWG STOOW/SOOW

- Class I, Div. 1 Groups C, D
- Class I, Div. 1 Groups B, C, D
- Class I Zone 1, Groups IIB
- Class I, Div. 2 Groups C, D
- Class II, Div. 1 Groups E, F, G
- Class II, Div. 2 Groups F, G

*Group B applies to HEP models only



Dimensions in inches (mm)

Temperature Ratings:

Ambient Temp Range
T4 Temp Code: -40°F to +149°F (-40°C to +65°C)

Ambient Temp Range
T5 Temp Code: -40°F to +131°F (-40°C to +50°C)

Certifications & Ratings:

- 10 year warranty
- UL 844 (wet locations) NEMA 4X
- CSA 22.2 No. 137-M81 UL 8750
- IP66/67 L70 rated for >150,000 hours
- Factory sealed

Variable Dimming:

- Variable Dimming Control:** 0-10 VDC
- Dimming Range:** 10 VDC = 100% light output
0 VDC = <10% light output

Electrical Specifications:

- Operating voltage:** 100-277 VAC, 120-250 VDC
- Power consumption:** See table
- Operating temp:** -40°F to +149°F (-40°C to +65°C)
- Harmonics:** IEC 61000-3-2 Class C
- Noise requirement /EMC:** FCC Title 47, Subpart B, Section 15, Class A device. RF Immunity; 10V/m, 80MHz-1GHz
- Transient protection:** Protection devices capable of handling up to 6kV. Tested with 6kV/2 ohm combination wave, as per IEEE C62.41, line-line and line-ground
- THD:** < 20%
- Power factor:** >0.9
- Cabling:** STOOW 18 gauge AWG
- Fusing:** Internal

Construction:

- Housing:** Copper free aluminum
- Finish:** Superior dual coat finish
Sealed polyester topcoat
Chemical-resistant epoxy primer
- Lens:** See table

Photometric Information:

- CRI:** 80
- CCT:** 5000K (cool white)
4000K (neutral white)

All values typical unless otherwise stated (tolerance +/- 10%)

WARNING - INSTALLATION & SECONDARY RETENTION. Use of any Dialight products without proper installation (including secondary retention / netting) and periodic inspections could cause severe injury or death. Dialight recommends that all installations should use secondary retention / netting (appropriate to the installation environment) where applicable. It is the exclusive responsibility of the contractor, installer and/or end-user to: (a) determine the suitability of the product for its intended application; and, (b) ensure that the product is safely installed (with secondary retention / netting where appropriate) and in compliance with all applicable laws and regulations. To the extent permissible under applicable laws, Dialight disclaims all liability for personal injury and/or other damage resulting from any dislodgment or other dislocation of its products.



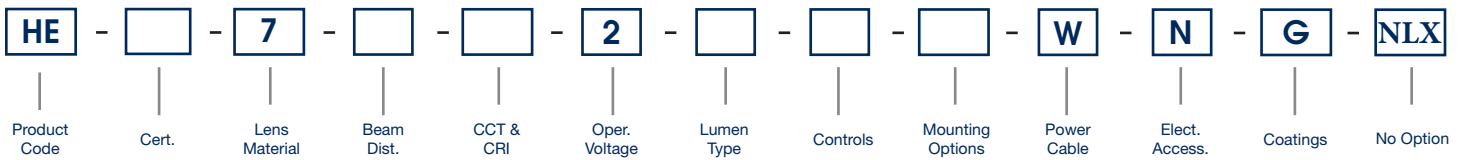
SafeSite® LED High Bay - UL / CSA

Class I, Div. 1 and Class I, Zone 1 - 100-277 VAC

Project Information	
Part Number:	
Project:	
Fixture Type:	Date:

Specifications

Ordering Information



Product Code

HE High Bay 3/4" NPT

Beam Distribution

- E Oval
- M Medium
- N Narrow
- W Wide

Lumen Type

- A 9,500 Lumens
- B 12,500 Lumens
- C 16,000 Lumens
- E 23,500 Lumens

Power Cable

W 10' [3 meter] Power Cable

Certification

- C UL 844, CID1, Class I, Zone 1
- M UL 844, CID1 Paint Spray Class I, Zone 1
- P UL 844, CID1 Group B, Class I, Zone 1

CCT & CRI

- C Cool White 5000K - 80 CRI
- N Neutral White 4000K - 80 CRI

Controls

- D Dimming (0-10V)
- N No Option

Electrical Accessories

N No Plug

Lens Material

7 Glass - Clear

Operating Voltage

2 100-277 VAC / 120-250 VDC

Mounting Options

- N Pendant 3/4" NPT
- P Pendant 3/4" NPT with Safety Retention Tabs

Coatings

G Gray (RAL 7040)

Option

NLX No Option

Notes

1) Lumen type based on using a glass lens. See tables for lumens when changing lenses.

Ordering Information

SafeSite® LED High Bay

Class I, Div. 1 and Class I, Zone 1 - 100-277 VAC



Class I, Div. 1 and Class I, Zone 1 - 100-277 VAC										
Part Number	Lumens	Wattage	lm/W	Certification	CCT	Lens	Beam Distribution	Controls Option	Hardware Options	Wiring
HEC-7WC2-ENNW-NGNLX	23,500	186	126	CID1	CW	Tempered Glass	Wide	No controls	Pendant 3/4" NPT	10' Power Cable
HEC-7MC2-ENPW-NGNLX	23,500	186	126	CID1	CW	Tempered Glass	Medium	No controls	Pendant 3/4" NPT with Safety Tabs	10' Power Cable
HEM-7MC2-ENNW-NGNLX	23,500	186	126	Paint Spray	CW	Tempered Glass	Medium	No controls	Pendant 3/4" NPT	10' Power Cable
HEC-7MC2-CNNW-NGNLX	16,000	129	124	CID1	CW	Tempered Glass	Medium	No controls	Pendant 3/4" NPT	10' Power Cable
HEC-7WC2-CNVW-NGNLX	16,000	129	124	CID1	CW	Tempered Glass	Wide	No controls	Safety Bracket w/ SS 316 Forward Throw Bracket	10' Power Cable
HEC-7MC2-CNPW-NGNLX	16,000	129	124	CID1	CW	Tempered Glass	Medium	No controls	Pendant 3/4" NPT with Safety Tabs	10' Power Cable
HEC-7WC2-CNTW-NGNLX	16,000	129	124	CID1	CW	Tempered Glass	Wide	No controls	Safety Bracket w/ Locking Swivel Mount/Bracket SS316	10' Power Cable
HEC-7WC2-CNNW-NGNLX	16,000	129	124	CID1	CW	Tempered Glass	Wide	No controls	Pendant 3/4" NPT	10' Power Cable
HEC-7WC2-CNPW-NGNLX	16,000	129	124	CID1	CW	Tempered Glass	Wide	No controls	Pendant 3/4" NPT with Safety Tabs	10' Power Cable
HEM-7MC2-CNNW-NGNLX	16,000	129	124	Paint Spray	CW	Tempered Glass	Medium	No controls	Pendant 3/4" NPT	10' Power Cable
HEC-7MC2-BNNW-NGNLX	12,500	102	123	CID1	CW	Tempered Glass	Medium	No controls	Pendant 3/4" NPT	10' Power Cable
HEC-7WC2-BNPW-NGNLX	12,500	102	123	CID1	CW	Tempered Glass	Wide	No controls	Pendant 3/4" NPT with Safety Tabs	10' Power Cable
HEM-7WC2-BNNW-NGNLX	12,500	102	123	Paint Spray	CW	Tempered Glass	Wide	No controls	Pendant 3/4" NPT	10' Power Cable
HEC-7WC2-BNNW-NGNLX	12,500	102	123	CID1	CW	Tempered Glass	Wide	No controls	Pendant 3/4" NPT	10' Power Cable
HEC-7MC2-BNPW-NGNLX	12,500	102	123	CID1	CW	Tempered Glass	Medium	No controls	Pendant 3/4" NPT with Safety Tabs	10' Power Cable
HEM-7WN2-ANNW-NGNLX	9,500	80	119	Paint Spray	NW	Tempered Glass	Wide	No controls	Pendant 3/4" NPT	10' Power Cable
HEC-7MC2-ANNW-NGNLX	9,500	80	119	CID1	CW	Tempered Glass	Medium	No controls	Pendant 3/4" NPT	10' Power Cable
HEC-7WC2-ANNW-NGNLX	9,500	80	119	CID1	CW	Tempered Glass	Wide	No controls	Pendant 3/4" NPT	10' Power Cable
HEC-7MN2-ANNW-NGNLX	9,250	80	116	CID1	NW	Tempered Glass	Medium	No controls	Pendant 3/4" NPT	10' Power Cable

All values typical unless otherwise stated (tolerance +/- 10%)

0-10V dimming option available for products in the above table. Replace the ninth character **N** with **D**. Ex: HEC-7WC2-ENNW-NGNLX becomes HEC-7WC2-EDNW-NGNLX.

DISCLAIMER. All product information provided is, to the best of Dialight's knowledge, accurate as of the date of publication. When ordering, refer to www.dialight.com for current versions of: (a) relevant product documentation (including the relevant product data sheets); (b) Dialight terms and conditions of sale; and, (c) the relevant product warranty. To the extent that any contract is deemed formed between Dialight and the purchaser of Dialight products and/or an end-user, versions of documents available at www.dialight.com as at the date of sale shall be the versions incorporated therein. In the event of any discrepancy between this document or information provided at www.dialight.com, the latter shall prevail.

SafeSite® LED High Bay - UL / CSA

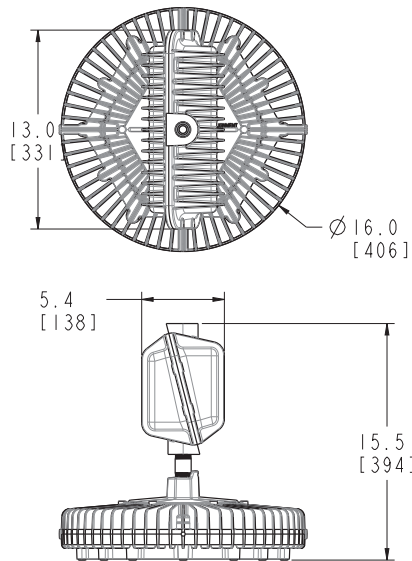
Class I, Div. 1 Passive Power Supply Model - 347 or 480 VAC



Patent pending

Certifications & Ratings:

- UL 844 (wet locations)
- CSA C22.2 No. 137-M81
- IP66/67
- NEMA 4X
- L70 rated for >150,000 hours
- Class I, Div. 1 Groups C, D
- Zone 1, Group IIB
- Class I, Div. 2 Groups C, D
- Class II, Div. 1 Groups E, F, G
- Class II, Div. 2 Groups F, G



Dimensions in inches (mm)

Mechanical Information:

- Fixture weight:** 52 lbs (23.6 kg)
- Shipping weight:** 59 lbs (26.8 kg)
- Mounting:** 3/4" NPT - top

Temperature Ratings:

- Ambient temp range T4A temp code:** -40°F to +149°F (-40°C to +65°C)
- Ambient temp range T5 temp code:** -40°F to +131°F (-40°C to +55°C)

Electrical Specifications:

- Operating voltage:** 347 or 480 VAC (see part number table)
- Total system power consumption:** See table
- Operating temperature:** -40°F to +149°F (-40°C to +65°C)
- Noise requirement /EMC:** FCC Title 47, Subpart B, Section 15, class A device. RF Immunity; 10V/m, 80MHz-1GHz
- Transient protection:** Tested for 10kV/2 ohm combination wave, as per IEEE C62.41, line-line and line ground

- THD:** <10K <30%
>10K <20%

- Power factor:** >0.9

- Fusing:** Internal

Construction:

- Housing:** Copper free aluminum
- Finish:** Superior dual coat finish
- Sealed polyester topcoat
- Epoxy primer

- Lens:** See table

Photometric Information:

- CRI:** 80
- CCT:** 5000K (cool white)
4000K (neutral white)

All values typical unless otherwise stated (tolerance +/- 10%)

DISCLAIMER. All product information provided is, to the best of Dialight's knowledge, accurate as of the date of publication. When ordering, refer to www.dialight.com for current versions of: (a) relevant product documentation (including the relevant product data sheets); (b) Dialight terms and conditions of sale; and, (c) the relevant product warranty. To the extent that any contract is deemed formed between Dialight and the purchaser of Dialight products and/or an end-user, versions of documents available at www.dialight.com as at the date of sale shall be the versions incorporated therein. In the event of any discrepancy between this document or information provided at www.dialight.com, the latter shall prevail.

SafeSite® LED High Bay - UL / CSA

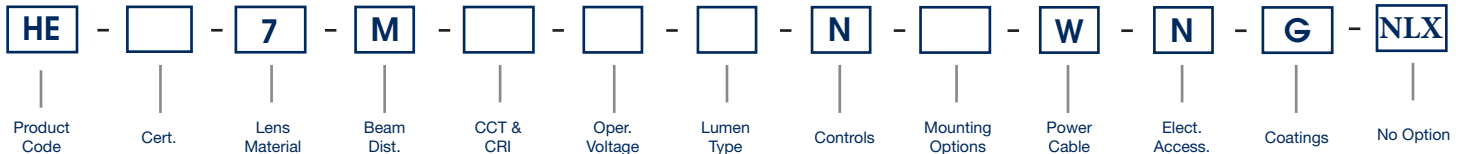
Class I, Div. 1 Passive Power Supply Model - 347 or 480 VAC



Project Information	
Part Number:	
Project:	
Fixture Type:	Date:

Specifications

Ordering Information



Product Code

HE High Bay Passive Power Supply

Certification

C UL 844 CID1

M UL 844 CID1 Paint Spray

Lens Material

7 Glass - Clear

Beam Distribution

M Medium

CCT & CRI

C Cool White 5000K - 80 CRI

N Neutral White 4000K - 80 CRI

Operating Voltage

P 480 VAC

Q 347 VAC

Lumen Type¹

A 9,500 Lumens

B 14,000 Lumens

C 18,000 Lumens

E 27,000 Lumens

Controls

N No Option

Mounting Options

N Pendant 3/4" NPT

P Pendant 3/4" NPT with Safety Retention Tabs

Power Cable

W 10' (3 meter) Power Cable

Electrical Accessories

N No Plug

Coatings

G Gray (RAL 7040)

Option

NLX No Option

Notes

1) Lumen values provided for reference only. Actual lumen values provided in the table on page 3.

Part Number	Lumens	Wattage	lm/W	CCT	Lens	Beam Distribution	Hardware Options	Wiring
347 VAC Models								
HEC-7MCQ-ENNW-NGNLX	27,400	206	133	CW	Glass - Clear	Medium	Pendant 3/4" NPT	10' Power Cable
HEC-7MCQ-CNNW-NGNLX	18,300	136	135	CW	Glass - Clear	Medium	Pendant 3/4" NPT	10' Power Cable
HEC-7MCQ-BNNW-NGNLX	13,200	100	132	CW	Glass - Clear	Medium	Pendant 3/4" NPT	10' Power Cable
HEC-7MCQ-ANNW-NGNLX	9,800	81	121	CW	Glass - Clear	Medium	Pendant 3/4" NPT	10' Power Cable
480 VAC Models								
HEC-7MCP-ENNW-NGNLX	27,200	206	132	CW	Glass - Clear	Medium	Pendant 3/4" NPT	10' Power Cable
HEC-7MCP-CNNW-NGNLX	18,200	129	141	CW	Glass - Clear	Medium	Pendant 3/4" NPT	10' Power Cable
HEC-7MCP-BNNW-NGNLX	15,200	116	131	CW	Glass - Clear	Medium	Pendant 3/4" NPT	10' Power Cable
HEC-7MCP-ANNW-NGNLX	9,400	73	129	CW	Glass - Clear	Medium	Pendant 3/4" NPT	10' Power Cable

All values typical unless otherwise stated (tolerance +/- 10%)
See ordering chart for additional options.

DISCLAIMER. All product information provided is, to the best of Dialight's knowledge, accurate as of the date of publication. When ordering, refer to www.dialight.com for current versions of: (a) relevant product documentation (including the relevant product data sheets); (b) Dialight terms and conditions of sale; and, (c) the relevant product warranty. To the extent that any contract is deemed formed between Dialight and the purchaser of Dialight products and/or an end-user, versions of documents available at www.dialight.com as at the date of sale shall be the versions incorporated therein. In the event of any discrepancy between this document or information provided at www.dialight.com, the latter shall prevail.

SafeSite® LED High Bay - UL / CSA

Class I, Div. 2 and Class I, Zone 2

Corded Model



Mechanical Information:

Fixture weight:

18 lbs (8.16kg)

Shipping weight:

24 lbs (10.8kg)

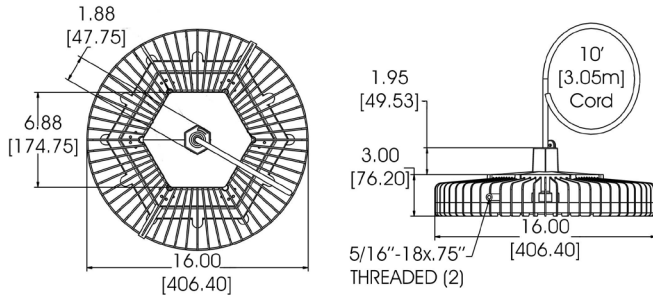
Mounting:

3/4" NPT - top
Various Kits

Power Cord:

10' 18 AWG ST00W/S00W

Patent pending



Integrated Wiring Box Model



Mechanical Information:

Fixture weight:

20 lbs (9 kg)

Shipping weight:

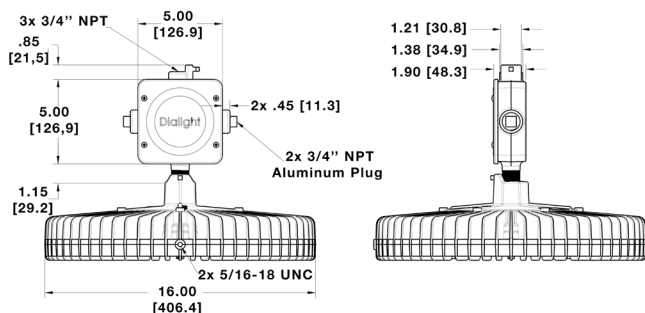
26 lbs (12 kg)

Mounting:

3/4" NPT or Hook

Wiring Box Cable Entries:

(2x) 3/4" NPT



Dimensions in inches (mm)

WARNING - INSTALLATION & SECONDARY RETENTION. Use of any Dialight products without proper installation (including secondary retention / netting) and periodic inspections could cause severe injury or death. Dialight recommends that all installations should use secondary retention / netting (appropriate to the installation environment) where applicable. It is the exclusive responsibility of the contractor, installer and/or end-user to: (a) determine the suitability of the product for its intended application; and, (b) ensure that the product is safely installed (with secondary retention / netting where appropriate) and in compliance with all applicable laws and regulations. To the extent permissible under applicable laws, Dialight disclaims all liability for personal injury and/or other damage resulting from any dislodgment or other dislocation of its products.

Temperature Ratings:

Ambient Temp Range

T4 Temp Code: -40F to +149F (-40°C to +65°C)

Ambient Temp Range

T5 Temp Code: -40F to +131F (-40°C to +50°C)

Certifications & Ratings:

10 year warranty
UL 844 (wet locations) NEMA 4X
CSA 22.2 No. 137-M81 UL 8750
IP66/67 L70 rated for >150,000 hours
Class I, Div. 2 Groups A, B, C, D
Class I, Zone 2, Group IIC
Class II, Div. 1 Groups E, F, G (corded model only)
Class II, Div. 2 Groups F, G
Class III, Div. 1 & 2

Variable Dimming:

Variable Dimming Control: 0-10 VDC

Dimming Range:

10 VDC = 100% light output
0 VDC = <10% light output

Electrical Specifications:

Operating voltage:

100-277 VAC, 120-250 VDC
347-480 VAC

Power consumption:

See table

Operating temp:

-40°F to +149°F (-40°C to +65°C)

Harmonics:

IEC 61000-3-2 Class C

Noise requirement /EMC:

FCC Title 47, Subpart B, Section 15, Class A device. RF Immunity; 10V/m, 80MHz-1GHz

Transient protection:

100-277 VAC models tested to withstand up to 8kV/4kA per IEEEC62.41
347-480VAC models tested to withstand up to 6kV/3kA per IEEEC62.41

THD:

< 20%

Power factor:

>0.9

Fusing:

Internal

Construction:

Housing:

Copper free aluminum

Finish:

Superior dual coat finish
Sealed polyester topcoat
Chemical-resistant epoxy primer

Lens:

See table

Photometric Information:

CRI:

80

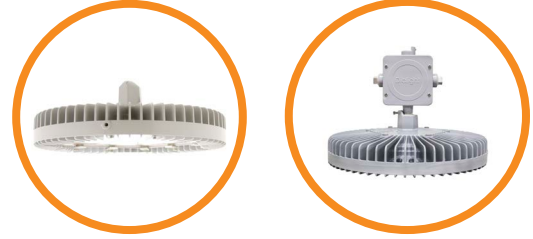
CCT:

5000K (cool white)
4000K (neutral white)

All values typical unless otherwise stated (tolerance +/- 10%)

SafeSite® LED High Bay - UL / CSA

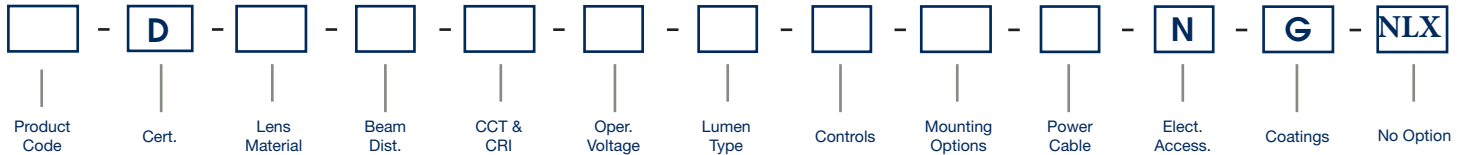
Class I, Div. 2 and Class I, Zone 2



Project Information	
Part Number:	
Project:	
Fixture Type:	Date:

Specifications

Ordering Information



Product Code
HC High Bay Integrated Pendant Wiring Box
HE High Bay 3/4" NPT

Certification
D UL 844 CID2, CII, CIII Class I, Zone 2

Lens Material
4 Polycarbonate - Clear
7 Glass - Clear
L Polycarbonate Dome - Diffused
R Power Wash Glass, Clear

Beam Distribution
E Oval
M Medium
N Narrow
W Wide

CCT & CRI
C Cool White 5000K - 80 CRI
N Neutral White 4000K - 80 CRI

Operating Voltage
2 100-277 VAC / 120-250 VDC
5 347-480 VAC

Lumen Type
A 11,600 Lumens
B 14,900 Lumens
C 19,800 Lumens
E 27,500 Lumens

Controls
D Dimming (0-10V)
N No Option

Mounting Options
H Hook (HC only)
N Pendant 3/4" NPT
P Pendant 3/4" NPT with Safety Retention Tabs
R Safety Retention Tabs with Hook (HC only)

Power Cable
N No Cord (HC only)
W 10' [3 meter] Power Cable (HE only)

Electrical Accessories
N No Plug

Coatings
G Gray (RAL 7040)

Option
NLX No Option

Notes
1) Lumen type based on using a glass lens. See tables for lumens when changing lenses.

DISCLAIMER. All product information provided is, to the best of Dialight's knowledge, accurate as of the date of publication. When ordering, refer to www.dialight.com for current versions of: (a) relevant product documentation (including the relevant product data sheets); (b) Dialight terms and conditions of sale; and, (c) the relevant product warranty. To the extent that any contract is deemed formed between Dialight and the purchaser of Dialight products and/or an end-user, versions of documents available at www.dialight.com as at the date of sale shall be the versions incorporated therein. In the event of any discrepancy between this document or information provided at www.dialight.com, the latter shall prevail.

Ordering Information

Class I, Div. 2 and Class I, Zone 2



Corded Model - Class I, Div. 2 and Class I, Zone 2 - 100-277 VAC / 120-250 VDC								
Part Number	Lumens	Wattage	lm/W	CCT	Lens	Beam Distribution	Hardware Options	Wiring
HED-7WC2-ENNW-NGNLX	27,200	185	147	CW	Glass - Clear	Wide	Pendant 3/4" NPT	10' Power Cable
HED-7MC2-ENPW-NGNLX	27,500	185	149	CW	Glass - Clear	Medium	Pendant 3/4" NPT with Safety Tabs	10' Power Cable
HED-7WC2-ENPW-NGNLX	27,200	185	147	CW	Glass - Clear	Wide	Pendant 3/4" NPT with Safety Tabs	10' Power Cable
HED-7WC2-ENTW-NGNLX	27,200	185	147	CW	Glass - Clear	Wide	HBXW3-SSL-316 Bracket with Safety Tabs	10' Power Cable
HED-7MC2-ENNW-NGNLX	27,500	185	149	CW	Glass - Clear	Medium	Pendant 3/4" NPT	10' Power Cable
HED-7WC2-ENVW-NGNLX	27,200	185	147	CW	Glass - Clear	Wide	HBXW3-SSL-316FT Bracket with Safety Tabs	10' Power Cable
HED-4MC2-ENNW-NGNLX	27,200	185	147	CW	Polycarbonate - Clear	Medium	Pendant 3/4" NPT	10' Power Cable
HED-7WC2-CNVW-NGNLX	19,600	130	151	CW	Glass - Clear	Wide	HBXW3-SSL-316FT Bracket with Safety Tabs	10' Power Cable
HED-7MC2-CNPW-NGNLX	19,800	130	152	CW	Glass - Clear	Medium	Pendant 3/4" NPT with Safety Tabs	10' Power Cable
HED-7WC2-CNNW-NGNLX	19,600	130	151	CW	Glass - Clear	Wide	Pendant 3/4" NPT	10' Power Cable
HED-7WC2-CNTW-NGNLX	19,600	130	151	CW	Glass - Clear	Wide	HBXW3-SSL-316 Bracket with Safety Tabs	10' Power Cable
HED-4MC2-CNNW-NGNLX	19,600	130	151	CW	Polycarbonate - Clear	Medium	Pendant 3/4" NPT	10' Power Cable
HED-7MC2-CNNW-NGNLX	19,800	130	152	CW	Glass - Clear	Medium	Pendant 3/4" NPT	10' Power Cable
HED-7MC2-BNNW-NGNLX	14,900	100	149	CW	Glass - Clear	Medium	Pendant 3/4" NPT	10' Power Cable
HED-7WC2-BNPW-NGNLX	14,800	100	148	CW	Glass - Clear	Wide	Pendant 3/4" NPT with Safety Tabs	10' Power Cable
HED-7MC2-BNPW-NGNLX	14,900	100	149	CW	Glass - Clear	Medium	Pendant 3/4" NPT with Safety Tabs	10' Power Cable
HED-7MN2-BNPW-NGNLX	14,900	100	149	NW	Glass - Clear	Medium	Pendant 3/4" NPT with Safety Tabs	10' Power Cable
HED-7WC2-BNNW-NGNLX	14,800	100	148	CW	Glass - Clear	Wide	Pendant 3/4" NPT	10' Power Cable
HED-4MC2-BNNW-NGNLX	14,800	100	148	CW	Polycarbonate - Clear	Medium	Pendant 3/4" NPT	10' Power Cable
HED-7MC2-ANNW-NGNLX	11,600	80	145	CW	Glass - Clear	Medium	Pendant 3/4" NPT	10' Power Cable
HED-7MC2-ANPW-NGNLX	11,600	80	145	CW	Glass - Clear	Medium	Pendant 3/4" NPT with Safety Tabs	10' Power Cable
HED-7WC2-ANNW-NGNLX	11,500	80	144	CW	Glass - Clear	Wide	Pendant 3/4" NPT	10' Power Cable
HED-4MC2-ANNW-NGNLX	11,500	80	144	CW	Polycarbonate - Clear	Medium	Pendant 3/4" NPT	10' Power Cable
HED-5MC2-ANNW-NGNLX	10,900	80	136	CW	Polycarbonate - Diffused	Medium	Pendant 3/4" NPT	10' Power Cable
Corded Model - Class I, Div. 2 and Class I, Zone 2 - 347-480 VAC								
HED-7MC5-EDNW-NGNLX	27,500	185	149	CW	Polycarbonate - Clear	Medium	Pendant 3/4" NPT	10' Power Cable
HED-7MC5-ENNW-NGNLX	27,500	185	149	CW	Glass - Clear	Medium	Pendant 3/4" NPT	10' Power Cable
HED-7MC5-CDNW-NGNLX	19,800	130	152	CW	Polycarbonate - Clear	Medium	Pendant 3/4" NPT	10' Power Cable
HED-7MC5-BDNW-NGNLX	14,900	100	149	CW	Glass - Clear	Medium	Pendant 3/4" NPT	10' Power Cable
HED-4MC5-ADNW-NGNLX	11500	80	144	CW	Glass - Clear	Medium	Pendant 3/4" NPT	10' Power Cable

All values typical unless otherwise stated (tolerance +/- 10%)

0-10V dimming option available for products in the above table. Replace the ninth character **N** with **D**. Ex: HED-7MC2-EN**N**W-NGNLX becomes HED-7MC2-ED**N**W-NGNLX.

DISCLAIMER. All product information provided is, to the best of Dialight's knowledge, accurate as of the date of publication. When ordering, refer to www.dialight.com for current versions of: (a) relevant product documentation (including the relevant product data sheets); (b) Dialight terms and conditions of sale; and, (c) the relevant product warranty. To the extent that any contract is deemed formed between Dialight and the purchaser of Dialight products and/or an end-user, versions of documents available at www.dialight.com as at the date of sale shall be the versions incorporated therein. In the event of any discrepancy between this document or information provided at www.dialight.com, the latter shall prevail.

SafeSite® LED High Bay - UL / CSA

Passive Power Supply Model - 347 or 480 VAC



Mechanical Information:

Fixture weight:

40 lbs (18 kg)

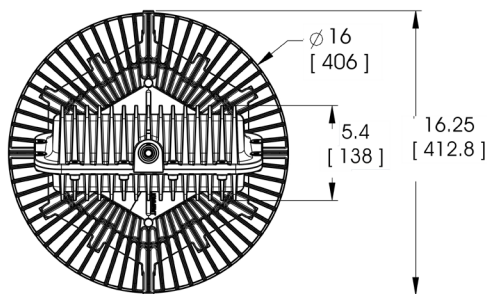
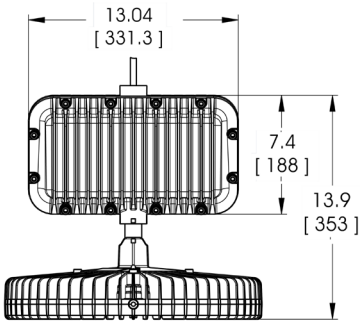
Shipping weight:

45 lbs (20 kg)

Mounting:

3/4" NPT - top
Various Kits

Patent pending



Dimensions in inches (mm)

Temperature Ratings:

Ambient temp range T4 temp code:

-40°F to +149°F (-40°C to +65°C)

Ambient temp range T5 temp code:

-40°F to +131°F (-40°C to +55°C)

Certifications & Ratings:

10 year warranty
 UL 1598/A (wet locations) CSA C22.2 No. 250.0-08
 UL 8750 NEMA 4X
 IP66 L70 rated for >150,000 hours
 Class I, Div. 2 Groups A, B, C, D
 Class I, Zone 2, Group IIC
 Class II, Div. 1 Groups E, F, G
 Class II, Div. 2 Groups F, G
 Class III, Div. 1 & 2

Electrical Specifications:

Operating Voltage: 347 or 480 VAC

Total system power consumption: See table

Operating Temp: -40°F to +149°F (-40°C to +65°C)

Harmonics: IEC 61000-3-2 Class C

Noise requirement /EMC: FCC Title 47, Subpart B, Section 15, class A device. RF Immunity; 10V/m, 80MHz-1GHz

Transient protection: Protection devices capable of handling up to 10kV. Tested for 10kV/2 ohm combination wave, as per IEEE C62.41, line-line and line ground

THD: <20%

Power Factor: >0.9

Fusing: Internal

Construction:

Housing: Copper free aluminum

Finish: Superior dual coat finish
Sealed polyester topcoat
Chemical-resistant epoxy primer

Lens: See table

Photometric Information:

CRI: 80

CCT: 5000K (cool white)
4000K (neutral white)

All values typical unless otherwise stated (tolerance +/- 10%)

SafeSite® LED High Bay - UL / CSA

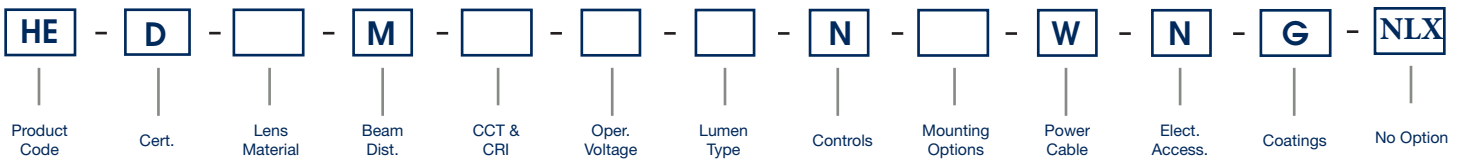
Passive Power Supply Model - 347 or 480 VAC



Project Information	
Part Number:	
Project:	
Fixture Type:	Date:

Specifications

Ordering Information



Product Code <hr/> HE High Bay	Beam Distribution <hr/> M Medium	Lumen Type <hr/> A 11,300 Lumens <hr/> B 14,300 Lumens <hr/> C 18,000 Lumens <hr/> E 27,000 Lumens	Power Cable <hr/> W 10' (3 meter) Power Cable
Certification <hr/> D UL 844 CID2, CII, CIII Class I, Zone 2	CCT & CRI <hr/> C Cool White 5000K - 80 CRI <hr/> N Neutral White 4000K - 80 CRI	Controls <hr/> N No Dimming	Electrical Accessories <hr/> N No Plug
Lens Material <hr/> 7 Glass - Clear <hr/> L Polycarbonate Dome - Diffused <hr/> R Power Wash Glass, Clear	Operating Voltage <hr/> P 480 VAC <hr/> Q 347 VAC	Mounting Options <hr/> N Pendant 3/4" NPT <hr/> P Pendant 3/4" NPT with Safety Retention Tabs	Coatings <hr/> G Gray (RAL 7040)
			Option <hr/> NLX No Option

Notes

1) Lumen type based on using a glass lens. See tables for lumens when changing lenses.

DISCLAIMER. All product information provided is, to the best of Dialight's knowledge, accurate as of the date of publication. When ordering, refer to www.dialight.com for current versions of: (a) relevant product documentation (including the relevant product data sheets); (b) Dialight terms and conditions of sale; and, (c) the relevant product warranty. To the extent that any contract is deemed formed between Dialight and the purchaser of Dialight products and/or an end-user, versions of documents available at www.dialight.com as at the date of sale shall be the versions incorporated therein. In the event of any discrepancy between this document or information provided at www.dialight.com, the latter shall prevail.

Ordering Information

SafeSite® LED High Bay - Passive Power Supply Model



Passive Power Supply Model - 347 VAC								
Part Number	Lumens	Wattage	lm/W	CCT	Lens	Beam Distribution	Hardware Options	Wiring
HED-7MCQ-ENNW-NGNLX	27,000	206	131	CW	Glass - Clear	Medium	Pendant 3/4" NPT	10' Power Cable
HED-7MCQ-CNNW-NGNLX	18,000	136	132	CW	Glass - Clear	Medium	Pendant 3/4" NPT	10' Power Cable
HED-7MCQ-BNNW-NGNLX	14,300	100	143	CW	Glass - Clear	Medium	Pendant 3/4" NPT	10' Power Cable
HED-7MCQ-ANNW-NGNLX	11,300	81	140	CW	Glass - Clear	Medium	Pendant 3/4" NPT	10' Power Cable
Passive Power Supply Model - 480 VAC								
HED-7MCP-ENNW-NGNLX	27,000	206	131	CW	Glass - Clear	Medium	Pendant 3/4" NPT	10' Power Cable
HED-7MCP-CNNW-NGNLX	18,000	129	140	CW	Glass - Clear	Medium	Pendant 3/4" NPT	10' Power Cable
HED-7MCP-BNNW-NGNLX	14,300	116	123	CW	Glass - Clear	Medium	Pendant 3/4" NPT	10' Power Cable
HED-7MCP-ANNW-NGNLX	11,300	73	155	CW	Glass - Clear	Medium	Pendant 3/4" NPT	10' Power Cable

All values typical unless otherwise stated (tolerance +/- 10%)

DISCLAIMER. All product information provided is, to the best of Dialight's knowledge, accurate as of the date of publication. When ordering, refer to www.dialight.com for current versions of: (a) relevant product documentation (including the relevant product data sheets); (b) Dialight terms and conditions of sale; and, (c) the relevant product warranty. To the extent that any contract is deemed formed between Dialight and the purchaser of Dialight products and/or an end-user, versions of documents available at www.dialight.com as at the date of sale shall be the versions incorporated therein. In the event of any discrepancy between this document or information provided at www.dialight.com, the latter shall prevail.

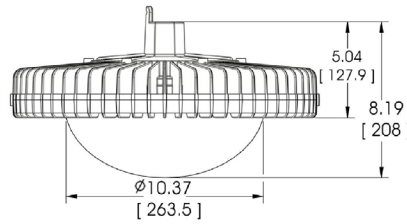
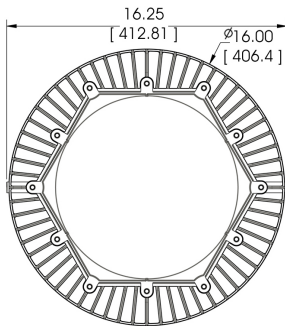
SafeSite® LED Low Bay - UL / CSA Corded Model & Integrated Wiring Box Model

Corded Model



Mechanical Information:

- Fixture weight:**
18 lbs (8.16kg)
- Shipping weight:**
24 lbs (10.8kg)
- Mounting:**
3/4" NPT - top
Various Kits
- Power Cord:**
10' 18 AWG ST00W/S00W

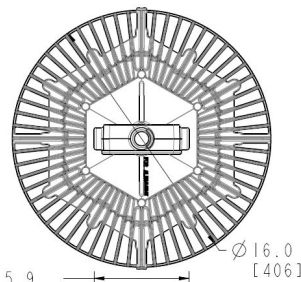
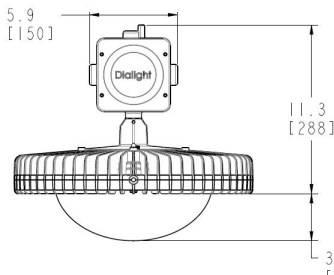


Integrated Wiring Box Model



Mechanical Information:

- Fixture weight:**
20 lbs (9 kg)
- Shipping weight:**
26 lbs (12 kg)
- Mounting:**
3/4" NPT or Hook
Various Kits
- Wiring Box Cable Entries:**
(2x) 3/4" NPT



Dimensions in inches (mm)

WARNING - INSTALLATION & SECONDARY RETENTION. Use of any Dialight products without proper installation (including secondary retention / netting) and periodic inspections could cause severe injury or death. Dialight recommends that all installations should use secondary retention / netting (appropriate to the installation environment) where applicable. It is the exclusive responsibility of the contractor, installer and/or end-user to: (a) determine the suitability of the product for its intended application; and, (b) ensure that the product is safely installed (with secondary retention / netting where appropriate) and in compliance with all applicable laws and regulations. To the extent permissible under applicable laws, Dialight disclaims all liability for personal injury and/or other damage resulting from any dislodgment or other dislocation of its products.

Temperature Ratings:

**Ambient temp range T4
temp code:** -40°F to +149°F (-40°C to +65°C)

**Ambient temp range T5
temp code:** -40°F to +131°F (-40°C to +55°C)

Certifications & Ratings:

10 year warranty
 UL 1598/A (wet locations) CSA C22.2 No. 250.0-08
 UL 8750 NEMA 4X
 IP66/67 L70 rated for >150,000 hours
 Class I, Div. 2, Groups A, B, C, D
 Class I, Zone 2, Group IIC
 Class II, Div. 1 Groups E, F, G (corded model only)
 Class II, Div. 2 Groups F, G
 Class III, Div. 1 & 2

Variable Dimming:

Variable Dimming Control: 0-10 VDC

Dimming Range: 10 VDC = 100% light output
0 VDC = <10% light output

Electrical Specifications:

Operating Voltage: 100-277 VAC (120-250 VDC)
347-480 VAC

Total system power consumption: See table

Operating Temp: -40°F to +149°F (-40°C to +65°C)

Harmonics: IEC 61000-3-2 Class C

Noise requirement /EMC: FCC Title 47, Subpart B, Section 15, class A device. RF Immunity; 10V/m, 80MHz-1GHz

Transient protection: 100-277 VAC models tested to withstand up to 8kV/4kA per IEEE C62.41
347-480VAC models tested to withstand up to 6kV/3kA per IEEE C62.41

THD: 6k-18k lm models: <20%
4k lm models: <30%

Power Factor: >0.9

Fusing: Internal

Construction:

Housing: Copper free aluminum

Finish: Superior dual coat finish
Sealed polyester topcoat
Chemical-resistant epoxy primer

Lens: See table

Photometric Information:

CRI: 80

CCT: 5000K (cool white)
4000K (neutral white)
2700K (warm white)

All values typical unless otherwise stated (tolerance +/- 10%)

SafeSite® LED Low Bay - UL / CSA

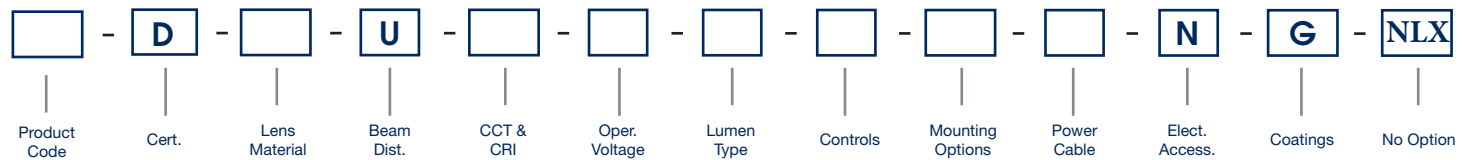
Corded & Integrated Wiring Box



Project Information	
Part Number:	
Project:	
Fixture Type:	Date:

Specifications

Ordering Information



Product Code

LC	Low Bay Integrated Wiring Box
LE	Low Bay

Certification

D	UL 844 CID2, CII, CIII Class I, Zone 2
---	--

Lens Material

4	Polycarbonate - Clear
5	Polycarbonate - Diffused
L	Polycarbonate Dome - Diffused

Beam Distribution

U	Ultra Wide
---	------------

CCT & CRI

C	Cool White 5000K - 80 CRI
N	Neutral White 4000K - 80 CRI

Operating Voltage

2	100-277 VAC / 120-250 VDC
5	347-480 VAC

Lumen Type

4	3,900 Lumens (100-277V only)
6	6,400 Lumens (100-277V only)
9	9,200 Lumens
B	13,200 Lumens
C	17,200 Lumens

Controls

D	Dimming (0-10V)
N	No Option

Mounting Options

H	Hook (LC only)
N	Pendant 3/4" NPT
P	Pendant 3/4" NPT with Safety Retention Tabs
R	Safety Retention Tabs with Hook (LC only)

Power Cable

N	No Cord (LC only)
W	10' [3 meter] Power Cable (LE only)

Electrical Accessories

N	No Plug
---	---------

Coatings

G	Gray (RAL 7040)
---	-----------------

Option

NLX	No Option
-----	-----------

Corded Model - Class I, Div. 2 - 100-277 VAC / 120-250 VDC

Part Number	Lumens	Wattage	lm/W	CCT	Lens	Beam Distribution	Hardware Options	Wiring
LED-LUC2-CNNW-NGNLX	17,200	150	115	CW	Polycarbonate Dome - Diffused	Ultra Wide	Pendant 3/4" NPT	10' Power Cable
LED-LUC2-BNNW-NGNLX	13,100	112	117	CW	Polycarbonate Dome - Diffused	Ultra Wide	Pendant 3/4" NPT	10' Power Cable
LED-LUC2-9NNW-NGNLX	9,200	78	118	CW	Polycarbonate Dome - Diffused	Ultra Wide	Pendant 3/4" NPT	10' Power Cable
LED-LUC2-6NNW-NGNLX	6,400	50	128	CW	Polycarbonate Dome - Diffused	Ultra Wide	Pendant 3/4" NPT	10' Power Cable

Corded Model - Class I, Div. 2 - 347-480 VAC

LED-LUC5-CNNW-NGNLX	17,200	150	115	CW	Polycarbonate Dome - Diffused	Ultra Wide	Pendant 3/4" NPT	10' Power Cable
LED-LUC5-BNNW-NGNLX	13,100	112	117	CW	Polycarbonate Dome - Diffused	Ultra Wide	Pendant 3/4" NPT	10' Power Cable
LED-LUC5-9NNW-NGNLX	9,200	78	118	CW	Polycarbonate Dome - Diffused	Ultra Wide	Pendant 3/4" NPT	10' Power Cable

All values typical unless otherwise stated (tolerance +/- 10%)

0-10V dimming option available for products in the above table. Replace the ninth character **N** with **D**. Ex: LEU-LUC2-9**N**NW-NGN becomes LEU-LUC2-9**D**NW-NGN.

DISCLAIMER. All product information provided is, to the best of Dialight's knowledge, accurate as of the date of publication. When ordering, refer to www.dialight.com for current versions of: (a) relevant product documentation (including the relevant product data sheets); (b) Dialight terms and conditions of sale; and, (c) the relevant product warranty. To the extent that any contract is deemed formed between Dialight and the purchaser of Dialight products and/or an end-user, versions of documents available at www.dialight.com as at the date of sale shall be the versions incorporated therein. In the event of any discrepancy between this document or information provided at www.dialight.com, the latter shall prevail.

Lumen Tables

Vigilant High Bay 100-277 VAC, 120-250 VDC and 347-480 VAC						
Output	Wattage	Lens	Lens Material	Lumens 5000K CCT	Lumens 4000K CCT	Lumens 2700K CCT
E	185	7, R	Glass	27,500	26,900	23,400
	185	2, T	Acrylic	27,200	26,600	23,100
	185	4, V	Polycarbonate	27,200	26,600	23,100
	185	3, U	Acrylic Diffused	27,000	26,400	23,000
	185	5, W	Polycarbonate Diffused	27,000	26,400	23,000
	185	L, Z	Polycarbonate Dome Diffused	26,700	26,100	22,700
	185	8, S	Glass Diffused	25,400	24,900	21,600
C	130	7, R	Glass	19,800	19,400	16,800
	130	2, T	Acrylic	19,600	19,200	16,700
	130	4, V	Polycarbonate	19,600	19,200	16,700
	130	3, U	Acrylic Diffused	19,400	19,000	16,500
	130	5, W	Polycarbonate Diffused	19,400	19,000	16,500
	130	L, Z	Polycarbonate Dome Diffused	19,200	18,800	16,300
	130	8, S	Glass Diffused	18,300	17,900	15,600
B	100	7, R	Glass	14,900	14,600	12,700
	100	2, T	Acrylic	14,800	14,500	12,600
	100	4, V	Polycarbonate	14,800	14,500	12,600
	100	3, U	Acrylic Diffused	14,600	14,300	12,400
	100	5, W	Polycarbonate Diffused	14,600	14,300	12,400
	100	L, Z	Polycarbonate Dome Diffused	14,500	14,200	12,300
	100	8, S	Glass Diffused	13,700	13,400	11,600
A	80	7, R	Glass	11,600	11,400	9,900
	80	2, T	Acrylic	11,500	11,300	9,800
	80	4, V	Polycarbonate	11,500	11,300	9,800
	80	3, U	Acrylic Diffused	11,400	11,200	9,700
	80	5, W	Polycarbonate Diffused	11,400	11,200	9,700
	80	L, Z	Polycarbonate Dome Diffused	11,300	11,100	9,600
	80	8, S	Glass Diffused	10,700	10,500	9,100

SafeSite CID1 High Bay 100-277 VAC						
Output	Wattage	Lens	Lens Material	Lumens 5000K CCT	Lumens 4000K CCT	Lumens 2700K CCT
E	186	7	Glass	23,500	23,000	20,000
	186	8	Glass Diffused	20,800	20,300	17,600
C	129	7	Glass	16,000	15,700	13,600
	129	8	Glass Diffused	14,000	13,700	11,900
B	102	7	Glass	12,500	12,200	10,600
	102	8	Glass Diffused	11,000	10,800	9,400
A	80	7	Glass	9,500	9,300	8,100
	80	8	Glass Diffused	8,400	8,200	7,100

Higher efficiency models available. See Ultra-Efficient High Bay spec sheet.

DISCLAIMER. All product information provided is, to the best of Dialight's knowledge, accurate as of the date of publication. When ordering, refer to www.dialight.com for current versions of: (a) relevant product documentation (including the relevant product data sheets); (b) Dialight terms and conditions of sale; and, (c) the relevant product warranty. To the extent that any contract is deemed formed between Dialight and the purchaser of Dialight products and/or an end-user, versions of documents available at www.dialight.com as at the date of sale shall be the versions incorporated therein. In the event of any discrepancy between this document or information provided at www.dialight.com, the latter shall prevail.

Lumen Tables

Passive Power Supply							
Output	Wattage 347 VAC	Wattage 480 VAC	Lens	Lens Material	Lumens 5000K CCT	Lumens 4000K CCT	Lumens 2700K CCT
E	206	206	7, R	Glass	27,000	26,400	23,000
	206	206	L, Z	Polycarbonate Dome Diffused	25,000	24,500	21,300
	206	206	8, S	Glass Diffused	23,800	23,300	20,200
C	136	129	7, R	Glass	18,000	17,600	15,300
	136	129	L, Z	Polycarbonate Dome Diffused	16,800	16,400	14,300
	136	129	8, S	Glass Diffused	15,800	15,500	13,400
B	100	116	7, R	Glass	14,300	14,000	12,200
	100	116	L, Z	Polycarbonate Dome Diffused	13,300	13,000	11,300
	100	116	8, S	Glass Diffused	12,500	12,200	10,600
A	81	73	7, R	Glass	11,300	11,100	9,600
	81	73	L, Z	Polycarbonate Dome Diffused	10,300	10,100	8,800
	81	73	8, S	Glass Diffused	9,800	9,600	8,300

DISCLAIMER. All product information provided is, to the best of Dialight's knowledge, accurate as of the date of publication. When ordering, refer to www.dialight.com for current versions of: (a) relevant product documentation (including the relevant product data sheets); (b) Dialight terms and conditions of sale; and, (c) the relevant product warranty. To the extent that any contract is deemed formed between Dialight and the purchaser of Dialight products and/or an end-user, versions of documents available at www.dialight.com as at the date of sale shall be the versions incorporated therein. In the event of any discrepancy between this document or information provided at www.dialight.com, the latter shall prevail.

Lumen Tables

Vigilant Low Bay 100-277 VAC, 120-250 VDC and 347-480 VAC						
Output	Wattage	Lens	Lens Material	Lumens 5000K CCT	Lumens 4000K CCT	Lumens 2700K CCT
C	150	2, T	Acrylic	17,500	17,100	14,900
	150	4, V	PC	17,400	17,000	14,800
	150	L, Z	Poly Dome	17,200	16,800	14,600
	150	5, W	Polycarbonate Diffused	17,300	16,900	14,700
	150	3, U	Acrylic Diffused	17,300	16,900	14,700
B	112	2, T	Acrylic	13,400	13,100	11,400
	112	4, V	PC	13,300	13,000	11,300
	112	L, Z	Poly Dome	13,200	12,900	11,200
	112	5, W	Polycarbonate Diffused	13,200	12,900	11,200
	112	3, U	Acrylic Diffused	13,200	12,900	11,200
9	78	2, T	Acrylic	9,400	9,200	8,000
	78	4, V	PC	9,300	9,100	7,900
	78	L, Z	Poly Dome	9,200	9,000	7,800
	78	5, W	Polycarbonate Diffused	9,300	9,100	7,900
	78	3, U	Acrylic Diffused	9,300	9,100	7,900
6	50	2, T	Acrylic	6,500	6,400	5,500
	50	4, V	PC	6,400	6,300	5,400
	50	L, Z	Poly Dome	6,400	6,300	5,400
	50	5, W	Polycarbonate Diffused	6,400	6,300	5,400
	50	3, U	Acrylic Diffused	6,400	6,300	5,400
4	38	2, T	Acrylic	4,000	3,900	3,400
	38	4, V	PC	4,000	3,900	3,400
	38	L, Z	Poly Dome	3,900	3,800	3,300
	38	5, W	Polycarbonate Diffused	3,900	3,800	3,300
	38	3, U	Acrylic Diffused	3,900	3,800	3,300

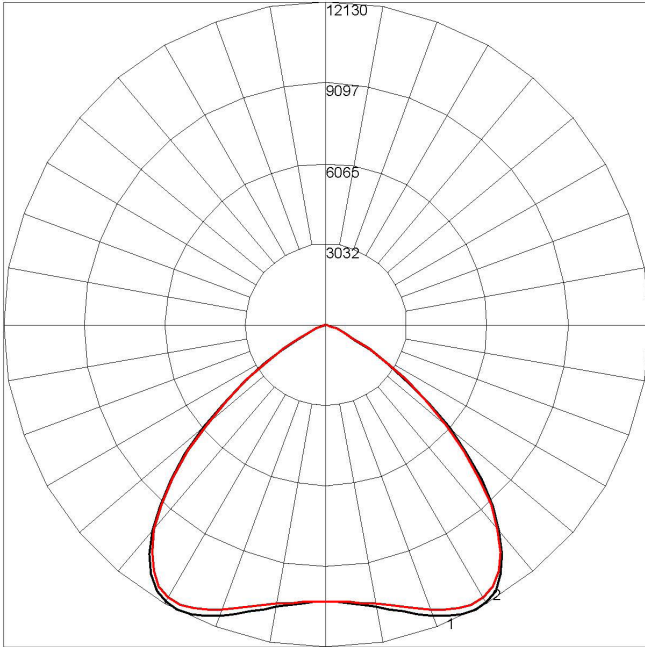
Higher efficiency models available. See Ultra-Efficient High Bay spec sheet.

DISCLAIMER. All product information provided is, to the best of Dialight’s knowledge, accurate as of the date of publication. When ordering, refer to www.dialight.com for current versions of: (a) relevant product documentation (including the relevant product data sheets); (b) Dialight terms and conditions of sale; and, (c) the relevant product warranty. To the extent that any contract is deemed formed between Dialight and the purchaser of Dialight products and/or an end-user, versions of documents available at www.dialight.com as at the date of sale shall be the versions incorporated therein. In the event of any discrepancy between this document or information provided at www.dialight.com, the latter shall prevail.

Beam Distribution

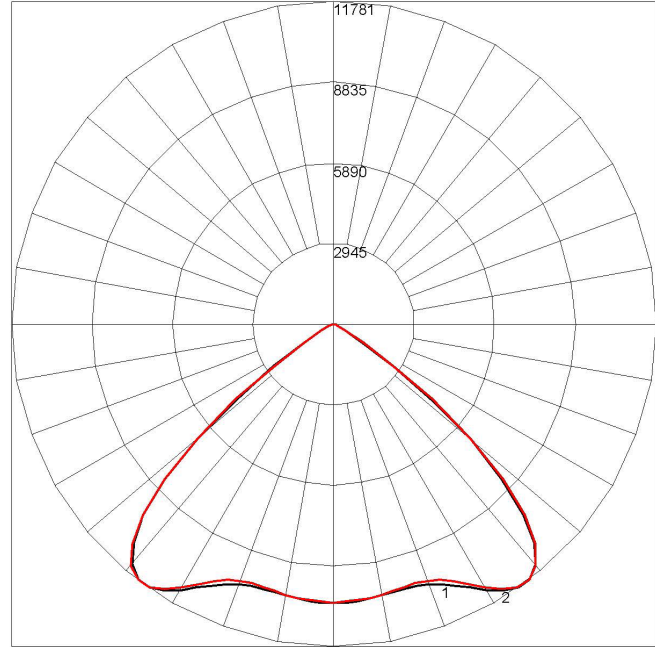


High Bay Medium



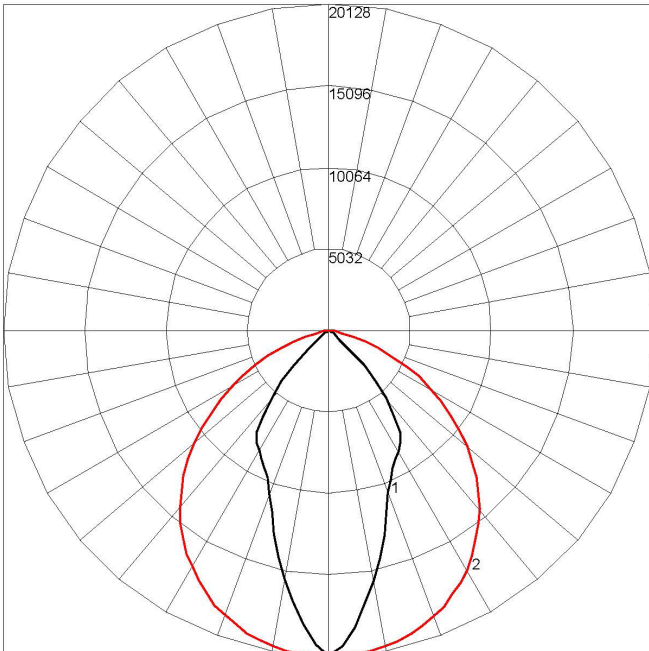
Maximum Candela = 12129.5 Located At Horizontal Angle = 0, Vertical Angle = 27.5
 # 1 - Vertical Plane Through Horizontal Angles (0 - 180)
 # 2 - Vertical Plane Through Horizontal Angles (90 - 270)

High Bay Wide



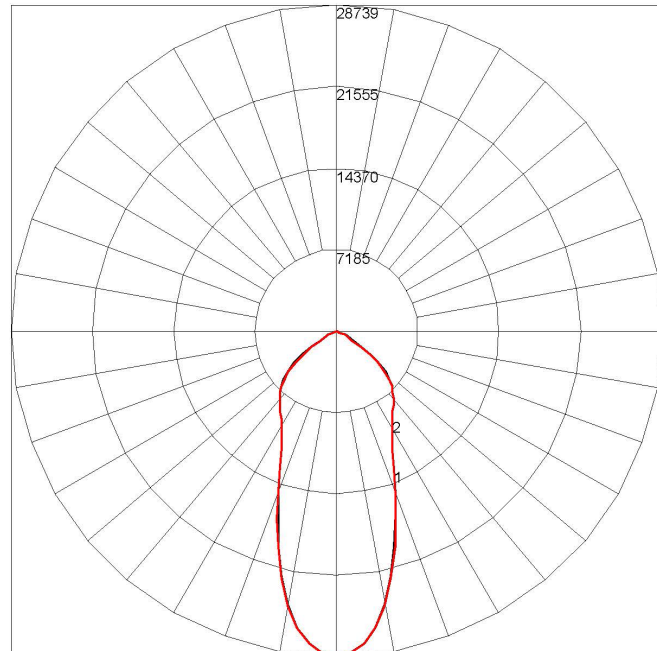
Maximum Candela = 11780.5 Located At Horizontal Angle = 90, Vertical Angle = 37.5
 # 1 - Vertical Plane Through Horizontal Angles (0 - 180)
 # 2 - Vertical Plane Through Horizontal Angles (90 - 270)

High Bay Oval



Maximum Candela = 20128.4 Located At Horizontal Angle = 85, Vertical Angle = 2.5
 # 1 - Vertical Plane Through Horizontal Angles (0 - 180)
 # 2 - Vertical Plane Through Horizontal Angles (90 - 270)

High Bay Narrow

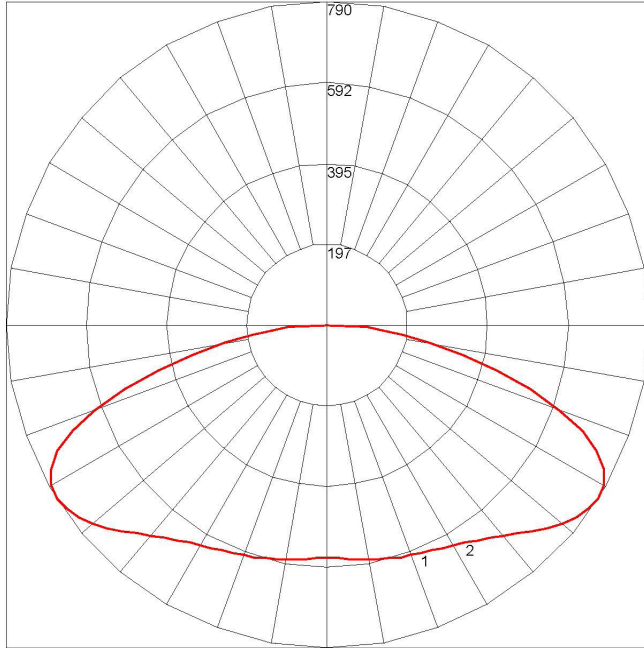


Maximum Candela = 28739.4 Located At Horizontal Angle = 0, Vertical Angle = 0
 # 1 - Vertical Plane Through Horizontal Angles (0 - 180)
 # 2 - Vertical Plane Through Horizontal Angles (90 - 270)

DISCLAIMER. All product information provided is, to the best of Dialight's knowledge, accurate as of the date of publication. When ordering, refer to www.dialight.com for current versions of: (a) relevant product documentation (including the relevant product data sheets); (b) Dialight terms and conditions of sale; and, (c) the relevant product warranty. To the extent that any contract is deemed formed between Dialight and the purchaser of Dialight products and/or an end-user, versions of documents available at www.dialight.com as at the date of sale shall be the versions incorporated therein. In the event of any discrepancy between this document or information provided at www.dialight.com, the latter shall prevail.

Beam Distribution

Low Bay Ultra Wide



Maximum Candela = 789.7 Located At Horizontal Angle = 0, Vertical Angle = 57.5
 # 1 - Vertical Plane Through Horizontal Angles (0 - 180)
 # 2 - Vertical Plane Through Horizontal Angles (90 - 270)

DISCLAIMER. All product information provided is, to the best of Dialight's knowledge, accurate as of the date of publication. When ordering, refer to www.dialight.com for current versions of: (a) relevant product documentation (including the relevant product data sheets); (b) Dialight terms and conditions of sale; and, (c) the relevant product warranty. To the extent that any contract is deemed formed between Dialight and the purchaser of Dialight products and/or an end-user, versions of documents available at www.dialight.com as at the date of sale shall be the versions incorporated therein. In the event of any discrepancy between this document or information provided at www.dialight.com, the latter shall prevail.

Inrush Currents

100-277 VAC Models

Product	Output	Max Wattage	Inrush Current @ Input Voltage			Approximate Time Duration (T50) of Inrush Current	
			100 VAC	120 VAC	277 VAC	120 VAC	277 VAC
Low Bay	4k	43	6.4	7.7	17.8	1.5ms	1.5ms
	6k	58	6.4	7.7	17.8	1.5ms	1.5ms
	9k	86	6.4	7.7	17.8	1.5ms	1.5ms
	14k	120	6.4	7.7	17.8	1.5ms	1.5ms
	18k	167	6.4	7.7	17.8	1.5ms	1.5ms
High Bay	11k	86	6.4	7.7	17.8	1.5ms	1.5ms
	14k	109	6.4	7.7	17.8	1.5ms	1.5ms
	19k	145	6.4	7.7	17.8	1.5ms	1.5ms
	26k	205	6.4	7.7	17.8	1.5ms	1.5ms

347-480 VAC Models

Product	Output	Max Wattage	Inrush Current @ Input Voltage		Approximate Time Duration (T50) of Inrush Current	
			347 VAC	480 VAC	347 VAC	480 VAC
Low Bay	9k	88	22.3	31	1.8ms	1.8ms
	14k	124	22.3	31	1.8ms	1.8ms
	18k	175	22.3	31	1.8ms	1.8ms
High Bay	11k	85	22.3	31	1.8ms	1.8ms
	14k	112	22.3	31	1.8ms	1.8ms
	19k	148	22.3	31	1.8ms	1.8ms
	26k	206	22.3	31	1.8ms	1.8ms

Lumen Maintenance Factor

100-277 VAC Models

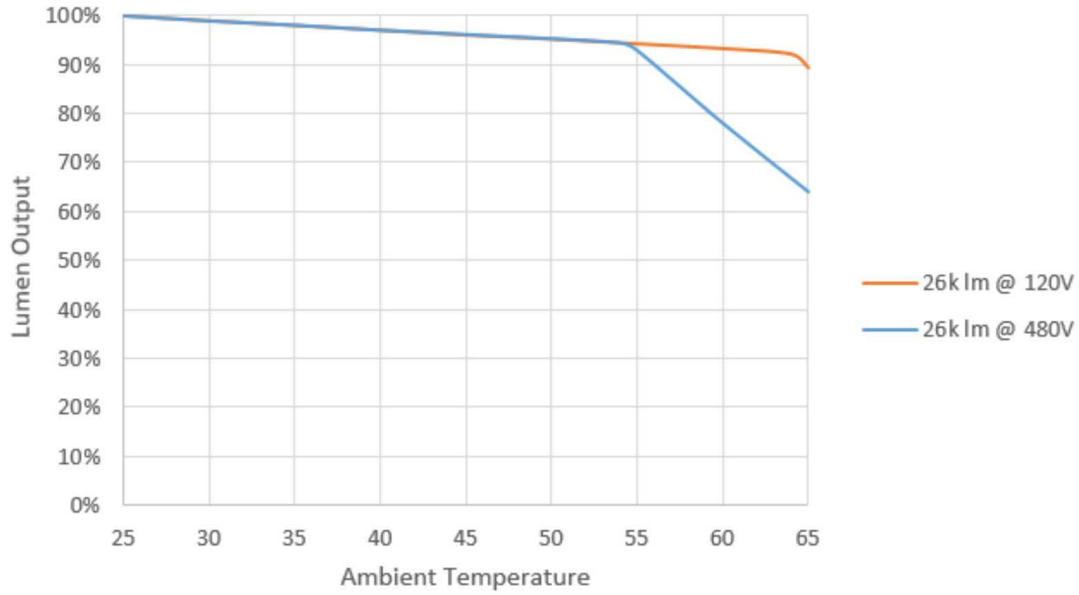
Ambient Temp (°C)	Hours								
	0	15000	30000	45000	60000	75000	90000	100000	150000
25	100%	98%	96%	95%	94%	92%	91%	90%	86%
30	99%	97%	95%	94%	93%	91%	90%	89%	85%
35	98%	96%	94%	93%	92%	91%	89%	89%	84%
40	97%	95%	94%	92%	91%	90%	88%	88%	84%
45	96%	94%	93%	91%	90%	89%	88%	87%	83%
50	95%	93%	92%	91%	89%	88%	87%	86%	82%
55	94%	92%	91%	90%	88%	87%	86%	85%	81%
60	94%	91%	90%	89%	88%	86%	85%	84%	81%
65	90%	88%	86%	84%	83%	81%	80%	79%	74%

347-480 VAC Models

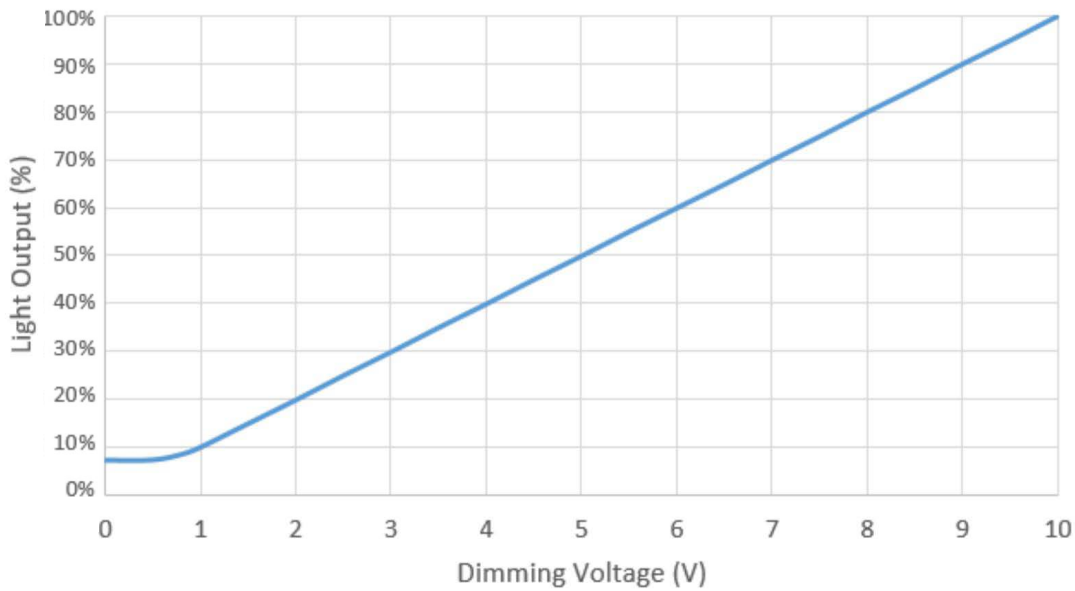
Ambient Temp (°C)	Hours								
	0	15000	30000	45000	60000	75000	90000	100000	150000
25	100%	98%	96%	95%	94%	92%	91%	90%	86%
30	99%	97%	95%	94%	93%	91%	90%	89%	85%
35	98%	96%	94%	93%	92%	91%	89%	89%	84%
40	97%	95%	94%	92%	91%	90%	88%	88%	84%
45	96%	94%	93%	91%	90%	89%	88%	87%	83%
50	95%	93%	92%	91%	89%	88%	87%	86%	82%
55	93%	91%	90%	88%	87%	86%	85%	84%	80%
60	78%	76%	75%	74%	73%	72%	71%	70%	67%
65	64%	63%	62%	61%	60%	59%	58%	58%	55%

DISCLAIMER. All product information provided is, to the best of Dialight's knowledge, accurate as of the date of publication. When ordering, refer to www.dialight.com for current versions of: (a) relevant product documentation (including the relevant product data sheets); (b) Dialight terms and conditions of sale; and, (c) the relevant product warranty. To the extent that any contract is deemed formed between Dialight and the purchaser of Dialight products and/or an end-user, versions of documents available at www.dialight.com as at the date of sale shall be the versions incorporated therein. In the event of any discrepancy between this document or information provided at www.dialight.com, the latter shall prevail.

Thermal Roll-Off



Dimming Characterization 0-10V



DISCLAIMER. All product information provided is, to the best of Dialight’s knowledge, accurate as of the date of publication. When ordering, refer to www.dialight.com for current versions of: (a) relevant product documentation (including the relevant product data sheets); (b) Dialight terms and conditions of sale; and, (c) the relevant product warranty. To the extent that any contract is deemed formed between Dialight and the purchaser of Dialight products and/or an end-user, versions of documents available at www.dialight.com as at the date of sale shall be the versions incorporated therein. In the event of any discrepancy between this document or information provided at www.dialight.com, the latter shall prevail.

Vigilant® LED High Bay / Low Bay - UL / CSA



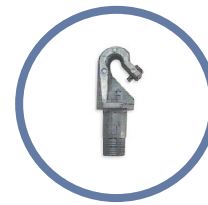
HBXW3-SSL-316LX
HBXW3-SSL-304LX

- Stainless steel bracket



HBXCAB48LX

- 48" long stainless steel safety rope (for use with safety bracket)



HBXHLX

- Hook
- For use with 3 conductor cable only

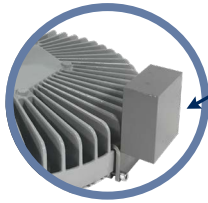


HBXW3-SSL-304FTLX

- 304 stainless steel forward throw bracket

HBXW3-SSL-316FTLX

- 316 Stainless steel forward throw bracket



HBXCBOCCFSPGLX
HBXCBOCCFSPK LX

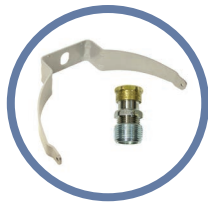
(Counter Balance Occ)

- Powder Coated Steel
- Stainless Steel



HBXLLX

- Loop



HBXW2LX

- Swivel bracket and cable gland

HBXW3LX

- Swivel bracket



HBXSBLX

- Stainless Steel (4x)



HBXCGLX

- Cable gland



HBXCULX

- Ceiling / wall mount



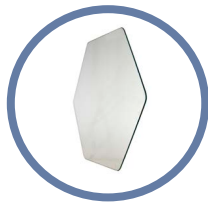
LBXLENPLX

- Polycarbonate dome lens replacement



HBXDUALBRCKTLX

- Dual bracket



HBXLENGCLX

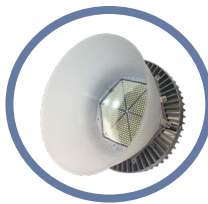
- Clear tempered glass

HBXLENPCLX

- Polycarbonate lens, clear

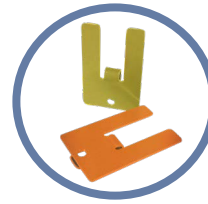
HBXLENACLX

- Acrylic lens, clear



HBXREF16LX

- Acrylic reflector



HBXFLAG-YLX
HBXFLAG-OLX

- Yellow Aluminum
- Orange Aluminum
- Comes with 10 indicator flags



HBXLENPDLX

- Polycarbonate lens, diffused



HBXLENADLX

- Acrylic lens, diffused



HBXLENGDLX

- Diffused tempered glass



HBXDCLX

- 21° slope dust cover

HBXDC45LX

- 45° slope dust cover

HBXDC60LX

- 60° slope dust cover



HBXFSIRREMOTELX

- Remote for occupancy sensor

Notes

1) HBXLENGC Not applicable for Low Bay (Ultra Wide)

DISCLAIMER. All product information provided is, to the best of Dialight's knowledge, accurate as of the date of publication. When ordering, refer to www.dialight.com for current versions of: (a) relevant product documentation (including the relevant product data sheets); (b) Dialight terms and conditions of sale; and, (c) the relevant product warranty. To the extent that any contract is deemed formed between Dialight and the purchaser of Dialight products and/or an end-user, versions of documents available at www.dialight.com as at the date of sale shall be the versions incorporated therein. In the event of any discrepancy between this document or information provided at www.dialight.com, the latter shall prevail.

Vigilant® LED High Bay 347V & 480V Passive - UL / CSA



- HLXW2-SSLX**
 • 316 stainless steel swivel bracket and cable gland
- HLXW3-SSLX**
 • 316 Stainless Steel swivel bracket



- HBXW3-SSL-316FTLX**
HBXW3-SSL-304FTLX
 • Stainless steel forward throw bracket



- HBXHXLX**
 • Hook
 • For use with 3 conductor cable only



- HBXCULX**
 • Ceiling / wall mount



- HBXCGLX**
 • Cable gland



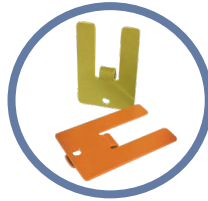
- HBXLLX**
 • Loop



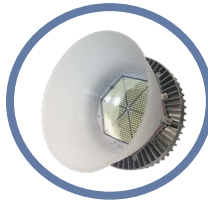
- HBXSBLX**
 • Stainless Steel (4x)



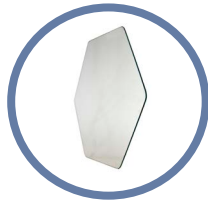
- HBXCAB48LX**
 • 48" long stainless steel safety rope (for use with safety bracket)



- HBXFLAG-YLX**
HBXFLAG-OLX
 • Yellow Aluminum
 • Orange Aluminum



- HBXREF16LX**
 • Acrylic reflector



- HBXLENGCLX**
 • Clear tempered glass
- LBXLENPLX**
 • Polycarbonate dome lens

SafeSite® LED High Bay / Low Bay - UL 844



- Suitable for:
 CID1 • CID2
- HBXW1LX**
 • Wall mount
- HBXC1LX**
 • Ceiling mount



- Suitable for: CID2
- HBXW2LX**
 • Swivel bracket and cable gland



- HBXFLAG-YLX**
HBXFLAG-OLX
 • Yellow Aluminum
 • Orange Aluminum



- Suitable for:
 CID2
- HBXCGLX**
 • Cable gland



- Suitable for: CID2
- HBX-DUAL-BRCKTLX**
 • Dual bracket



- HBXSBLX**
 • Stainless steel (4x)



- HBXCAB48LX**
 • 48" long stainless steel safety rope (for use with safety bracket)

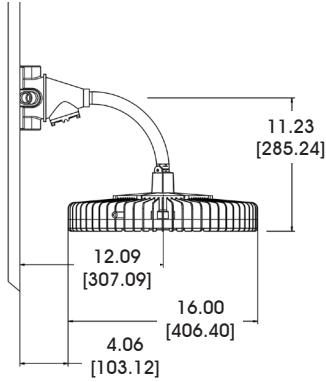


- Suitable for: CID1 • CID2
- HBXW3-SSL-316LX**
 • Stainless steel swivel bracket
 • 316 Stainless steel
- HBXW3-SSL-304LX**
 • Stainless steel swivel bracket
 • 304 Stainless steel

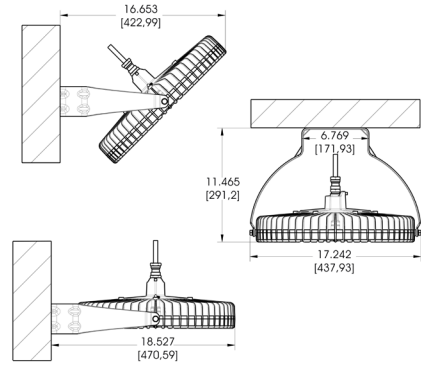
DISCLAIMER. All product information provided is, to the best of Dialight's knowledge, accurate as of the date of publication. When ordering, refer to www.dialight.com for current versions of: (a) relevant product documentation (including the relevant product data sheets); (b) Dialight terms and conditions of sale; and, (c) the relevant product warranty. To the extent that any contract is deemed formed between Dialight and the purchaser of Dialight products and/or an end-user, versions of documents available at www.dialight.com as at the date of sale shall be the versions incorporated therein. In the event of any discrepancy between this document or information provided at www.dialight.com, the latter shall prevail.

SafeSite® LED High Bay / Low Bay - UL 844

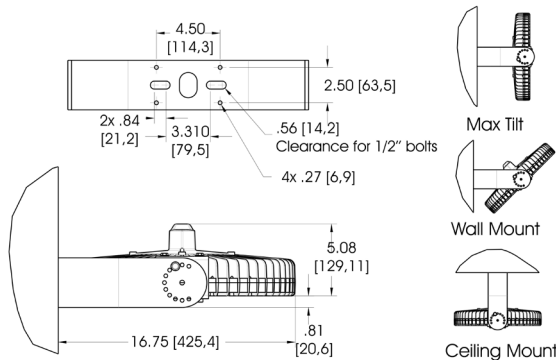
HBXW1 - Wall mount



HBXW2 - Swivel bracket and cable gland

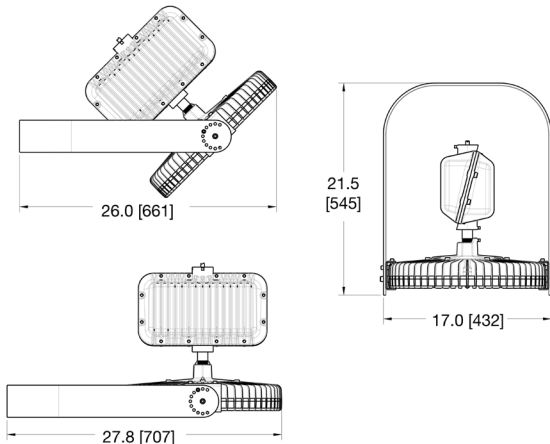


HBXW3-SSL-xxx - Stainless steel bracket

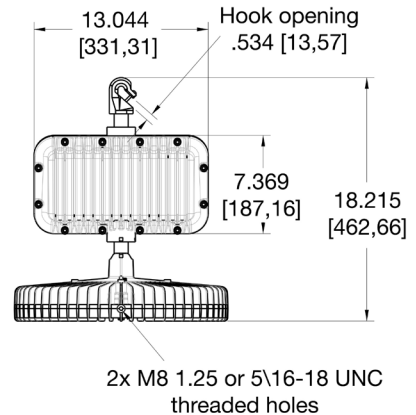


Vigilant® LED High Bay Passive Power Supply - UL / CSA

HLXW3-SS - Swivel Bracket



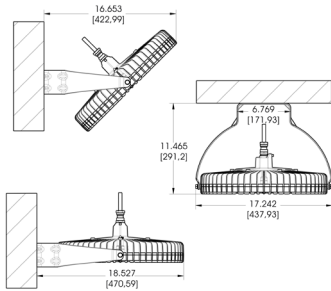
HBXH - Hook



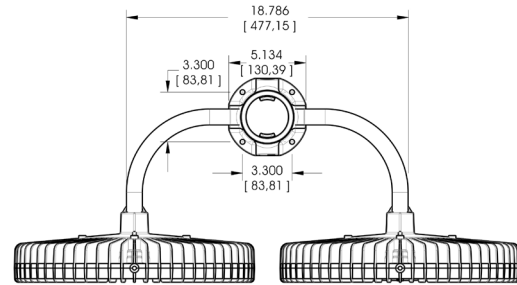
DISCLAIMER. All product information provided is, to the best of Dialight's knowledge, accurate as of the date of publication. When ordering, refer to www.dialight.com for current versions of: (a) relevant product documentation (including the relevant product data sheets); (b) Dialight terms and conditions of sale; and, (c) the relevant product warranty. To the extent that any contract is deemed formed between Dialight and the purchaser of Dialight products and/or an end-user, versions of documents available at www.dialight.com as at the date of sale shall be the versions incorporated therein. In the event of any discrepancy between this document or information provided at www.dialight.com, the latter shall prevail.

Vigilant® LED High Bay / Low Bay - UL / CSA

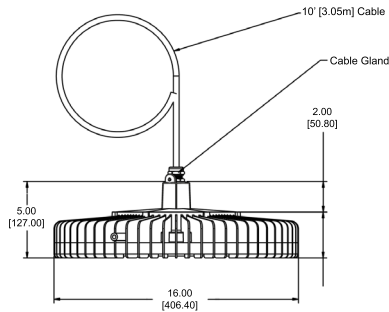
HBXW2LX - Swivel Bracket and Cable Gland



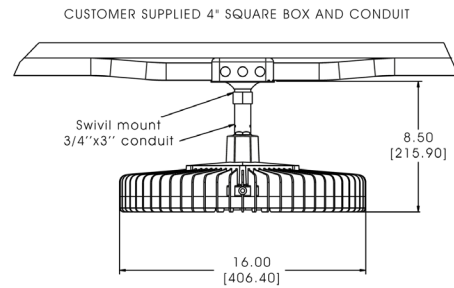
HBXDUALBRCKTLX - Dual Bracket



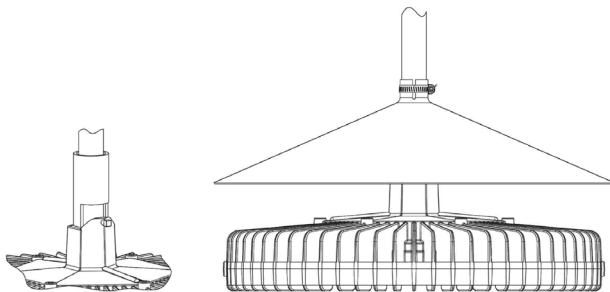
HBXCGLX - Cable Gland



HBXCULX - Ceiling Mount



HBXDCLX - Dust Cover (HBXDC30LX & HBXDC60LX)



DISCLAIMER. All product information provided is, to the best of Dialight's knowledge, accurate as of the date of publication. When ordering, refer to www.dialight.com for current versions of: (a) relevant product documentation (including the relevant product data sheets); (b) Dialight terms and conditions of sale; and, (c) the relevant product warranty. To the extent that any contract is deemed formed between Dialight and the purchaser of Dialight products and/or an end-user, versions of documents available at www.dialight.com as at the date of sale shall be the versions incorporated therein. In the event of any discrepancy between this document or information provided at www.dialight.com, the latter shall prevail.

Hazardous Locations Ratings - UL

Fixed and portable fixtures for installation and use in hazardous (classified) locations Class I, Divisions 1 and 2, Groups A, B, C, and D; Class II, Division 1, Groups E, F, and G; Class II, Division 2, Groups F and G; and Class III, Divisions 1 and 2, in accordance with the National Electrical Code, NFPA 70

Classes

The classes define the general nature of hazardous material in the surrounding atmosphere.

Class	Hazardous Material in Surrounding Atmosphere
Class I	Hazardous because flammable gases or vapors are present in the air in quantities sufficient to produce explosive or ignitable mixtures
Class II	Hazardous because combustible or conductive dusts are present
Class III	Hazardous because ignitable fibers or flying's are present, but not likely to be in suspension in sufficient quantities to produce ignitable mixtures. Typical wood chips, cotton, flax and nylon. Group classifications are not applied to this class

Divisions

The division defines the probability of hazardous material being present in an ignitable concentration in the surrounding atmosphere.

Division	Presence of Hazardous Material
Division 1	The substance referred to by class is present during normal conditions
Division 2	The substance referred to by class is present only in abnormal conditions, such as a container failure or system breakdown

Groups

The group defines the hazardous material in the surrounding atmosphere.

Group	Hazardous Material in Surrounding Atmosphere
Group A	Acetylene
Group B	Hydrogen, fuel and combustible process gases containing more than 30% hydrogen by volume or gases of equivalent hazard such as butadiene, ethylene, oxide, propylene oxide and acrolein
Group C	Carbon monoxide, ether, hydrogen sulfide, morphine, cyclopropane, ethyl and ethylene or gases of equivalent hazard
Group D	Gasoline, acetone, ammonia, benzene, butane, cyclopropane, ethanol, hexane, methanol, methane, vinyl chloride, natural gas, naphtha, propane or gases of equivalent hazard
Group E	Combustible metal dusts, including aluminum, magnesium and their commercial alloys or other combustible dusts whose particle size, abrasiveness and conductivity present similar hazards in connection with electrical equipment
Group F	Carbonaceous dusts, carbon black, coal black, charcoal, coal or coke dusts that have more than 8% total entrapped volatiles or dusts that have been sensitized by other material so they present an explosion hazard
Group G	Flour dust, grain dust, flour, starch, sugar, wood, plastic and chemicals

Reference:
http://www.engineeringtoolbox.com/hazardous-areas-classification-d_347.html

DISCLAIMER. All product information provided is, to the best of Dialight's knowledge, accurate as of the date of publication. When ordering, refer to www.dialight.com for current versions of: (a) relevant product documentation (including the relevant product data sheets); (b) Dialight terms and conditions of sale; and, (c) the relevant product warranty. To the extent that any contract is deemed formed between Dialight and the purchaser of Dialight products and/or an end-user, versions of documents available at www.dialight.com as at the date of sale shall be the versions incorporated therein. In the event of any discrepancy between this document or information provided at www.dialight.com, the latter shall prevail.

North American HQ

1501 Route 34 South
Farmingdale, NJ 07727
Tel: 732-919-3119
Fax: 732-751-5778
info@dialight.com

Dialight Europe Ltd

Leaf C, Level 36, Tower 42
25 Old Broad Street
London, EC2N 1HQ, United Kingdom
Tel: +44 (0) 203 058 3540
Customer Service: +44 (0) 163 866 6541
sales-emea@dialight.com

Middle East

Level 23 – Boulevard Plaza Tower 2
Emaar Boulevard, Dubai, U.A.E.
P.O. Box 124342
Tel: +971 (4) 409-6962
Fax: +971 (4) 409-6850

Australia

108 Howe Street
Osborne Park, WA 6017
Tel: +61 (0) 8 9244 7600
Fax: +61 (0) 8 9244 7601
info@dialight.com.au

Southeast Asia

33 Ubi Avenue 3
#07-72 Vertex (Tower A)
Singapore 408868
Tel: +65 6578 7157
Fax: +65 6578 7150
enquiry@dialight.com.sg

Brazil

Alameda Mercurio,
225 – American Park Empresarial NR
Indaiatuba – SP – 13347– 662
Tel: +55 (19) 3113-4300
Fax: +55 (19) 3113-4300
brasil@dialight.com



DISTRIBUIDOR AUTORIZADO: **L&A ILUMINACION S.A DE C.V.**

www.lyailuminacion.com.mx; Email: lya@lyailuminacion.com.mx
Tel: CdMx: 55+5363 4861 / 8381; Tequisquiapan: 414 273 0605



WARNING / DISCLAIMERS:

Installation & secondary retention. The use of this product without proper installation (including secondary retention / netting) and periodic inspections, could cause severe injury or death. Dialight recommends that all installations should use secondary retention / netting (appropriate to the installation environment) as applicable. Dialight products are intended for ultimate purchase, installation and operation by knowledgeable persons trained in the functional assessment, installation, use and maintenance of such products and all customers (including but not limited to end customers) are responsible for assessing the suitability of Dialight products for any given installation requirement. It is the exclusive responsibility of the contractor, installer and/or end-user to: (a) determine the suitability of the product for its intended application; and, (b) ensure that the product is safely installed (with secondary retention / netting as appropriate) and in compliance with all applicable laws and regulations.

Product specifications & warranties. All product information provided is, to the best of Dialight's knowledge, accurate as of the date of publication. All values and performance data herein are design or typical values when measured under laboratory conditions. The information herein is subject to change without notice. The products / software detailed herein are subject to applicable warranties and terms and conditions of use/purchase. Unless agreed otherwise in writing by an authorized representative of Dialight, Dialight does not represent that its products are fit for any particular purpose and accepts no liability for the installation and/or unauthorised use of its products. When ordering, refer to www.dialight.com for current versions of: (a) relevant product documentation (including relevant product data sheets); (b) Dialight terms and conditions of sale; and, (c) the relevant product warranties. To the extent that any contract is deemed formed between Dialight and the purchaser of Dialight products and/or an end-user, versions of documents available at www.dialight.com as at the date of sale shall be the versions incorporated therein. In the event of any discrepancy between this document and information provided at www.dialight.com, the latter shall prevail.

Exclusion of liability. To the extent permissible under the relevant law, Dialight disclaims all liability for personal injury and/or other damage resulting from any dislodgment or other dislocation of its products. Whilst Dialight has used its reasonable endeavours to ensure the completeness and accuracy of information herein, Dialight does not assume any liability for damages resulting from use of this information or for any third-party representations made in relation to Dialight products.